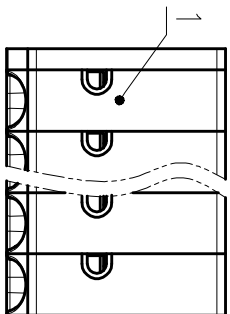
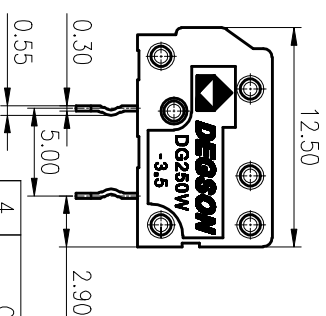
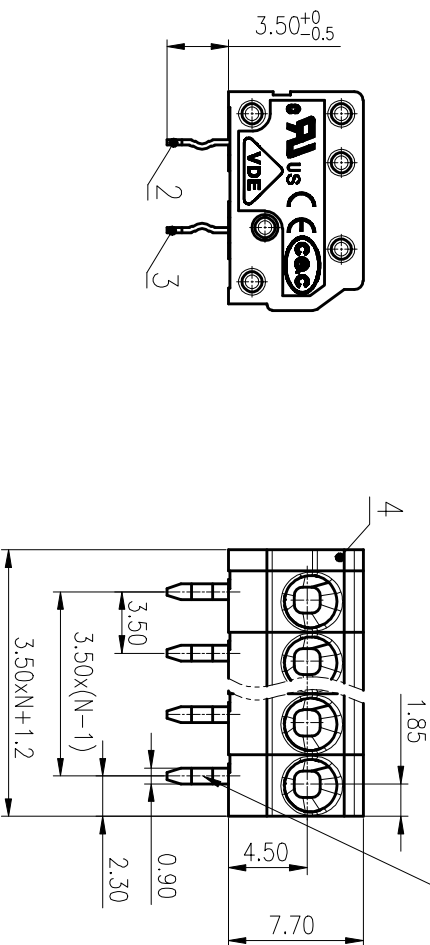


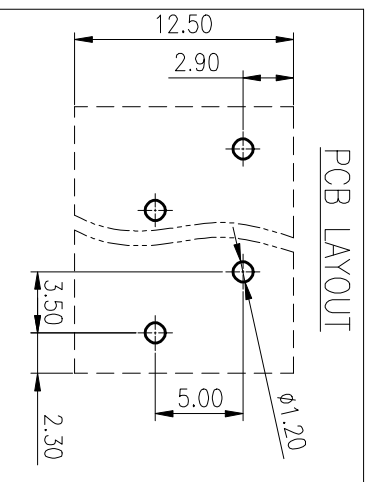
公差等级/General Tolerances(mm)		公差等级/General Tolerances(mm)										公差等级/General Tolerances(mm)		
0	>3	>6	>10	>18	>30	>50	>80	>120	>180	>250	>315	>400	>500	0.1/10
~	~	~	~	~	~	~	~	~	~	~	~	~	~	±Z
3	6	10	18	30	50	80	120	180	250	315	400	500	>500	0.1/10
±0.12	±0.18	±0.22	±0.26	±0.31	±0.37	±0.57	±0.80	±0.93	±1.05	±1.15	±1.60	±2.20	±2.50	±Z



the first pin at right is front pin



4	Cover	PA66	UL94V-0
3	Front PIN header	Copper alloy	Sn plated
2	Back Pin header	Copper alloy	Sn plated
1	Housing	PA66	UL94V-0
ITEM	NAME OF PART	MATERIAL	NOTES



UL 标准/UL Standard:	B	C	D
额定电压/电涌/Rated Voltage(V)/Current(A)	300/4	300/4	/
IEC 标准/IEC Standard:	/	/	/
过压类别/Overvoltage Category/污秽等级/Pollution Degree	III/3	III/2	II/2
额定电压/电涌/Rated Voltage(V)/Current(A)	/	250/3	/
工频耐压/Withstanding Voltage(V)/Min	/	AC2000	/
线径范围(硬线和软线)/Wire Range(rigid and flexible)(mm ² /AWG)	0.2~0.75/22~18		
间距/Pitch(mm)/线数范围/Poles	3.5/N=02~24P		
剥线长度/Stripping length(mm)	8~9		
使用温度范围/Operating temperature(°C)	-40~+105		
符合RoHS环保要求/Conform to RoHS	Yes		

MATERIAL: /
SURFACE: /

MAT NO.: /
STATUS: /
APPD: LIGL 2020.05.23
CHKD: Mek 2020.05.23

NAME: **DEGSON® NINGBO DEGSON ELECTRICAL CO., LTD**
DG250W-3.5-XXP-1Y-100A(H)
DRAWING NO.: DG250W-3.5-C03
TYPE: CUSTOMER DRAWING

REV	ECN	DESCRIPTION	DRAFT	DATE	SIZE: A4	SCALE: 2.5:1 SHEET	REV	T2
1	2	3	4	5	6	1/1		