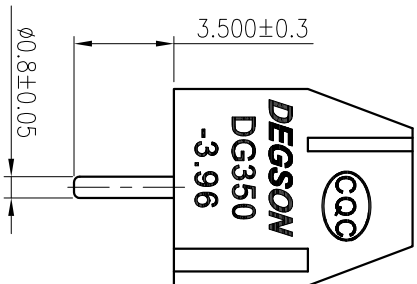
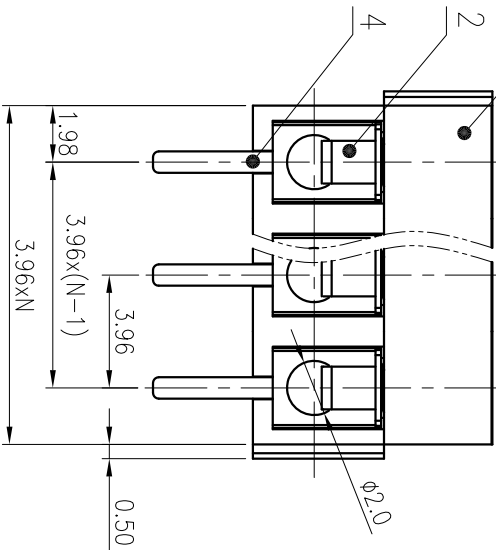
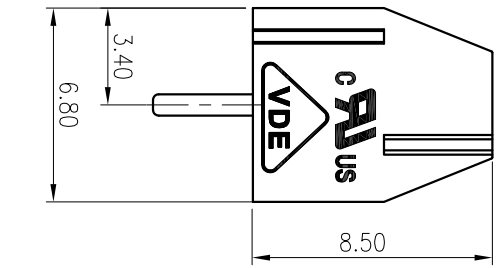
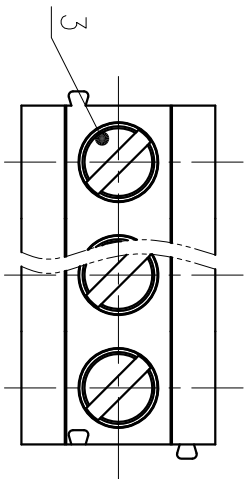
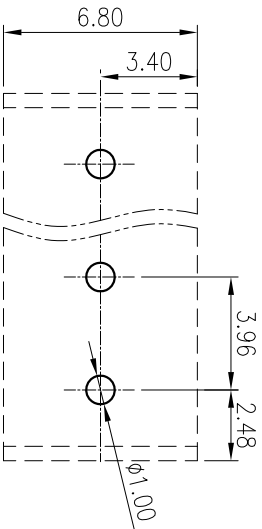


公差表/General tolerances(mm)										0.1/1.0				
0	>3	>6	>10	>18	>30	>50	>80	>120	>180	>250	>315	>400	>500	±0.1/±1.0
3	~6	~10	~18	~30	~50	~80	~120	~180	~250	~315	~400	~500	±0.1/±1.0	±0.1/±1.0
±0.12	±0.18	±0.22	±0.26	±0.31	±0.37	±0.57	±0.80	±0.93	±1.05	±1.15	±1.50	±2.20	±2.50	±0.2



PCB LAYOUT



REV	ECN	DESCRIPTION	DRAFT	DATE
1				
2				
3				
4				
5				
6				

MATERIAL:	
MAT NO.:	/
STATUS:	/
APPD: Lan CHH	2020.05.23
CHKD: YU JZh	2020.05.23
DRAFT: Song	2015.12.11
SIZE: A4	(mm) (inch)
TYPE: CUSTOMER DRAWING	SCALE: 4:1
NAME: DEGSON 宁波高松电子有限公司	NINGBO DEGSON ELECTRICAL CO., LTD
DRAWING NO.: DG350-3.96-C07	REV T1
NAME: DEGSON DG350-3.96-XXP-1Y-00A(H)	REV T1
TYPE: CUSTOMER DRAWING	SCALE: 4:1
SHEET 1/1	

4	Pin header	Copper alloy	M2/Sn plated
3	Screw	Steel	M2/Zn plated
2	Spring	Stainless steel	/
1	Housing	PA66	UL94V-0
ITEM	NAME OF PART	MATERIAL	NOTES
UL 标准/UL Standard:		B	C
额定电压/电流/Rated Voltage(V)/Current(A)		300/7	300/7
IEC 标准/IEC Standard:			
过压类别/Overvoltage Category/污染等级/Pollution Degree		III/3	III/2
额定电压/电流/Rated Voltage(V)/Current(A)		/	130/10
工频耐压/Withstanding voltage(V/1Min)		/	AC1250
螺丝扭矩/Torque Tightening(N·m/Lb.in)		M2, 0.20/1.77	
线径范围(硬线和软线)/Wire Range(rigid and flexible)(mm ² /AWG)		0.5~1.0/24~18	
间距/Pitch(mm)/线数范围/Poles		3.96/N=02~24P	
剥线长度/Stripping length(mm)			5
使用温度范围/Operating temperature(°C)			-40~+105
符合RoHS环保要求/Conform to RoHS			Yes