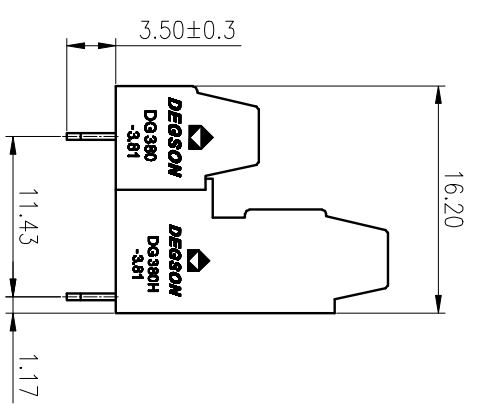
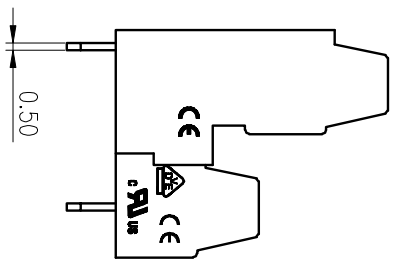
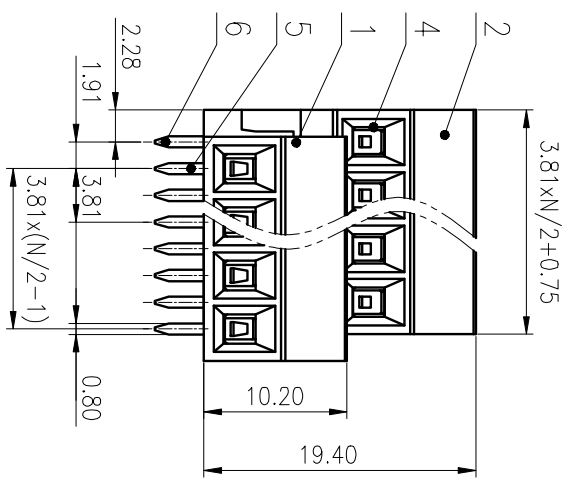
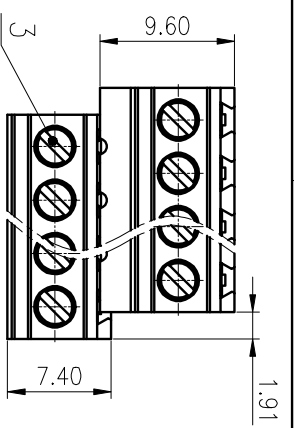
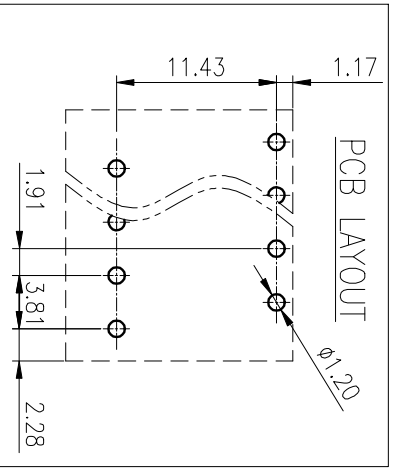


精度等级/General	tolerance/(mm)	0	>3	>6	>10	>18	>30	>50	>80	>120	>180	>250	>315	>400	>500	0.1/10
~	~	~	~	~	~	~	~	~	~	~	~	~	~	~	~	±Z
±0.12	±0.18	±0.22	±0.26	±0.31	±0.37	±0.57	±0.80	±0.93	±1.05	±1.15	±1.60	±2.20	±2.50			



ITEM	NAME OF PART	MATERIAL	NOTES
6	Pin Header 2	Copper alloy	Sn Plated
5	Pin Header 1	Copper alloy	Sn Plated
4	Cage	Copper alloy	M2/Ni Plated
3	Screw	Steel	M2/Zn Plated
2	Housing	PA66	UL94V-0
1	Housing	PA66	UL94V-0

UL 标准 /UL Standard:	B	C	D
额定电压/电涌/Rated Voltage(V)/Current(A)	300/12	/	/
IEC 标准/IEC Standard:	/	/	/
过压类别/Overvoltage Category/特类等	III/3	III/2	II/2
额定电压/电涌/Rated Voltage(V)/Current(A)	200/12	320/12	500/12
额定脉冲电压(KV)/Rate Impulse Voltage(KV)	4	4	4
额定扭矩/Torque Tightening(N·m/Lb.in)	M2, 0.2/1.77		
线径范围(硬线和软线)/Wire Range(rigid and flexible)(mm ² /AWG)	0.2~1.5/30~14		
间距/Pitch(mm)/线距范围/Poles	3.81/N=04~24P		
剥线长度/Stripping length(mm)	5~6		
使用温度范围/Operating Temperature(°C)	-40~+105		
符合RoHS要求/Conform to RoHS	Yes		
标准颜色编号/Standard color number:			
PANTONE / RAL	/		



REV	ECN	DESCRIPTION	DRAFT	DATE	SIZE: A4	TYPE: CUSTOMER DRAWING	SCALE: 2:1	SHEET
1								1/1

MATERIAL: SURFACE: /

MAT NO.: /

STATUS: /

APP: Li GL 2020.06.22

CHKD: Moo J 2020.06.22

DRT:Wmg LX 2020.06.22

NAME: **DEGSON® NINGBO DEGSON ELECTRICAL CO., LTD**

DG380A-3.81-XXP-1Y-00A(H)

DRAWING NO.: DG380A-3.81-C01

REV T1

D

C

B

A

D

C

B

A