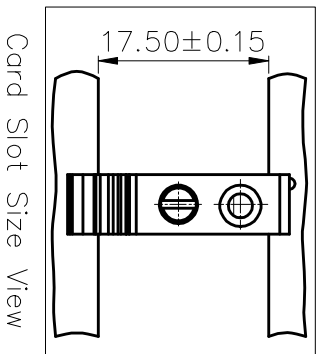
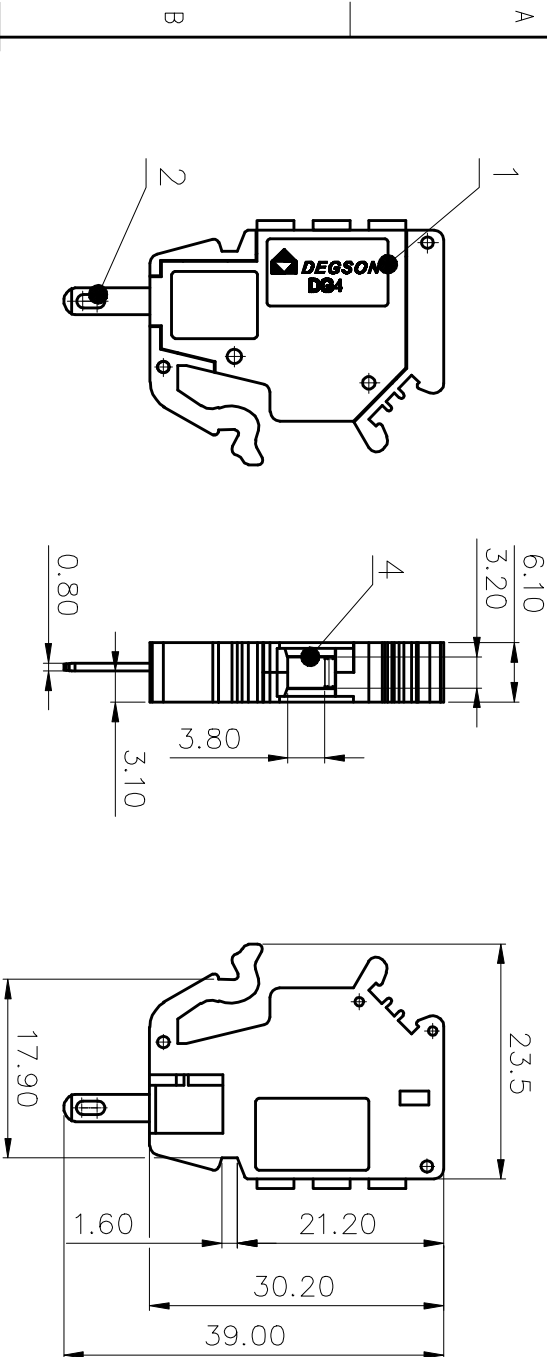


公差等级/General Tolerances(mm)		公差等级/General Tolerances(mm)										公差等级/General Tolerances(mm)		
0	>3	>6	>10	>18	>30	>50	>80	>120	>180	>250	>315	>400	>500	0.1/10
~	~	~	~	~	~	~	~	~	~	~	~	~	~	±2
3	6	10	18	30	50	80	120	180	250	315	400	500	>500	±2
±0.12 ±0.18 ±0.22 ±0.26 ±0.31 ±0.37 ±0.57 ±0.80 ±0.93 ±1.05 ±1.15 ±1.60 ±2.20 ±2.50														



Card Slot Size View

MATERIAL:	/	SURFACE:	/
MAT NO.:	/	NINGBO DEGSON ELECTRICAL CO., LTD	
STATUS:	/	DRAWING NO.: DG4-C01	
APPD:	/	TYPE: CUSTOMER DRAWING	
CHKD:	/	SCALE: 2:1 SHEET 1/1	
DFT: CenX 2020.05.27	SIZE: A4	DFT: CenX 2020.05.27	DRAWING NO.: DG4-C01
REV	ECN	DESCRIPTION	DRT

ITEM	NAME OF PART	MATERIAL	NOTES
4	Cage	Brass	Ni Plated
3	Screw	Brass	Ni Plated
2	Pin header	Copper	Sn Plated
1	Housing	PA66	UL94V-0

UL 标准/UL Standard:	B	C	D
额定电压/电势/Rated Voltage(V)/Current(A)	300/20	/	300/10

IEC 标准/IEC Standard:	III/3	III/2	II/2
过压类别/Overvoltage Category/污染等级/Pollution Degree	/	/	/
额定电压/电势/Rated Voltage(V)/Current(A)	/	400/24	/
额定脉冲电压(kV)/Rate Impulse Voltage(kV)	/	2.5	/
额定转矩/Torque Tightening(N·m/Lb·in)	M3, 0.5/4.43		
线径范围(硬线和软线)/Wire Range(rigid and flexible)(mm <sup>2</sup> /AWG)	0.2~4/30~10		
间距/Pitch(mm)/线数范围/Poles	6.1/01P		
引线长度/Stripping length(mm)	6-7		
使用温度范围/Operating temperature(°C)	-40~+105		
符合RoHS环保要求/Conform to RoHS	Yes		

宁波高松电子有限公司  
NINGBO DEGSON ELECTRICAL CO., LTD

DG4-01P-1Y-00A(H)

DRAWING NO.: DG4-C01  
TYPE: CUSTOMER DRAWING  
SCALE: 2:1 SHEET 1/1