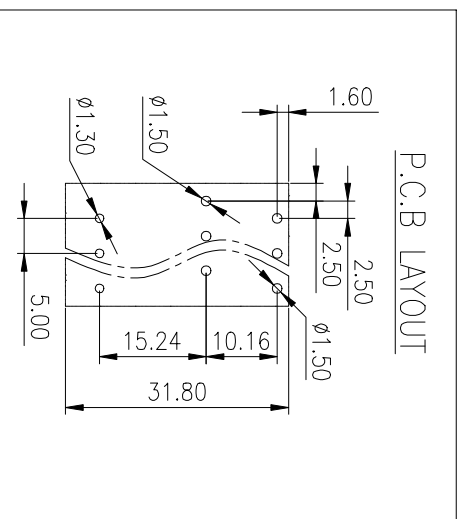
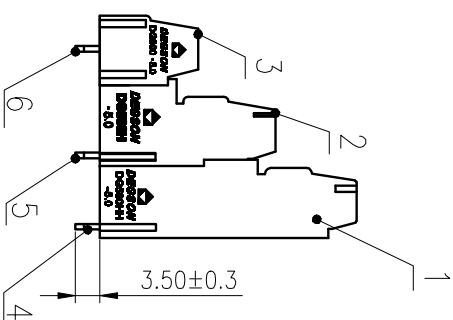
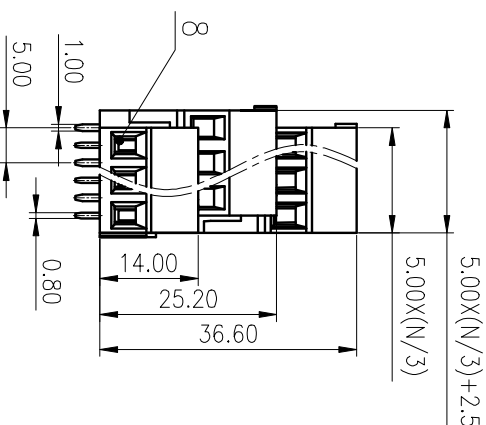
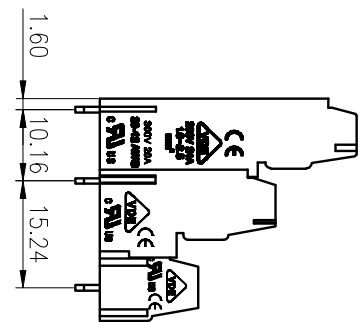
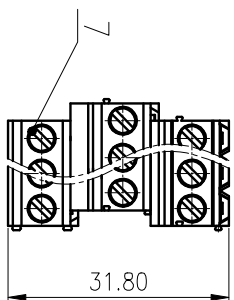


公差等级/General	tolerance/(mm)	0	>3	>6	>10	>18	>30	>50	>80	>120	>180	>250	>315	>400	>500	0.1/10
~	~	~	~	~	~	~	~	~	~	~	~	~	~	~	~	±Z
±0.12	±0.18	±0.22	±0.26	±0.31	±0.37	±0.57	±0.80	±0.93	±1.05	±1.15	±1.60	±2.20	±2.50			



8	Cage	Copper Alloy	M2.5/Ni plated
7	Screw	Steel	M2.5/Zn plated
6	Pin header 3	Copper Alloy	Sn plated
5	Pin header 2	Copper Alloy	Sn plated
4	Pin header 1	Copper Alloy	Sn plated
3	Housing 3	PA66	UL94V-0
2	Housing 2	PA66	UL94V-0
1	Housing 1	PA66	UL94V-0
ITEM	NAME OF PART	MATERIAL	NOTES
UL 标准 /UL Standard:		B	C
额定电压/电涌/Rated Voltage(V)/Current(A)		300/20	300/10
IEC 标准 /IEC Standard:			
过压类别 /Overvoltage Category /特类等		/	III/2
级 /Pollution Degree		/	
额定电压/电涌 /Rated Voltage(V)/Current(A)		/	250/18
工额电压 /Withstanding Voltage (V/min)		/	AC2000
螺丝扭矩 /Torque Tightening(N·m/Lb.in)		M2.5, 0.4/3.54	
线径范围 (硬线/软线) /Wire Range(rigid and flexible)(mm² /AWG)		1.0~2.5/28~12	
间距 /Pitch(mm) /线距范围 /Poles		5.0 /N=06~xxP	
剥线长度 /Stripping length(mm)			5~6
使用温度范围 /Operating Temperature(°C)			-40~+105
符合RoHS要求 /Conform to RoHS			Yes
标准颜色编号 /Standard color number:			
PANTONE / RAL			/

MATERIAL: SURFACE:

MAT NO.: /

STATUS: /

APPD: LI GL 2020.06.16

CHKD: MGO J 2020.06.16

DRT: Feng X 2020.06.13

NAME: **DEGSON® NINGBO DEGSON ELECTRICAL CO., LTD**
宁波高松电子有限公司

DG500A3-5.0-XXP-1Y-00A(H)

DRAWING NO.: DG500A3-5.0-C01

TYPE: CUSTOMER DRAWING

REV	ECN	DESCRIPTION

DRAFT DATE

SIZE: A4

mm / inch

SCALE: 1:1

SHEET 1/1

D

C

B

A

1

2

3

4

5

6