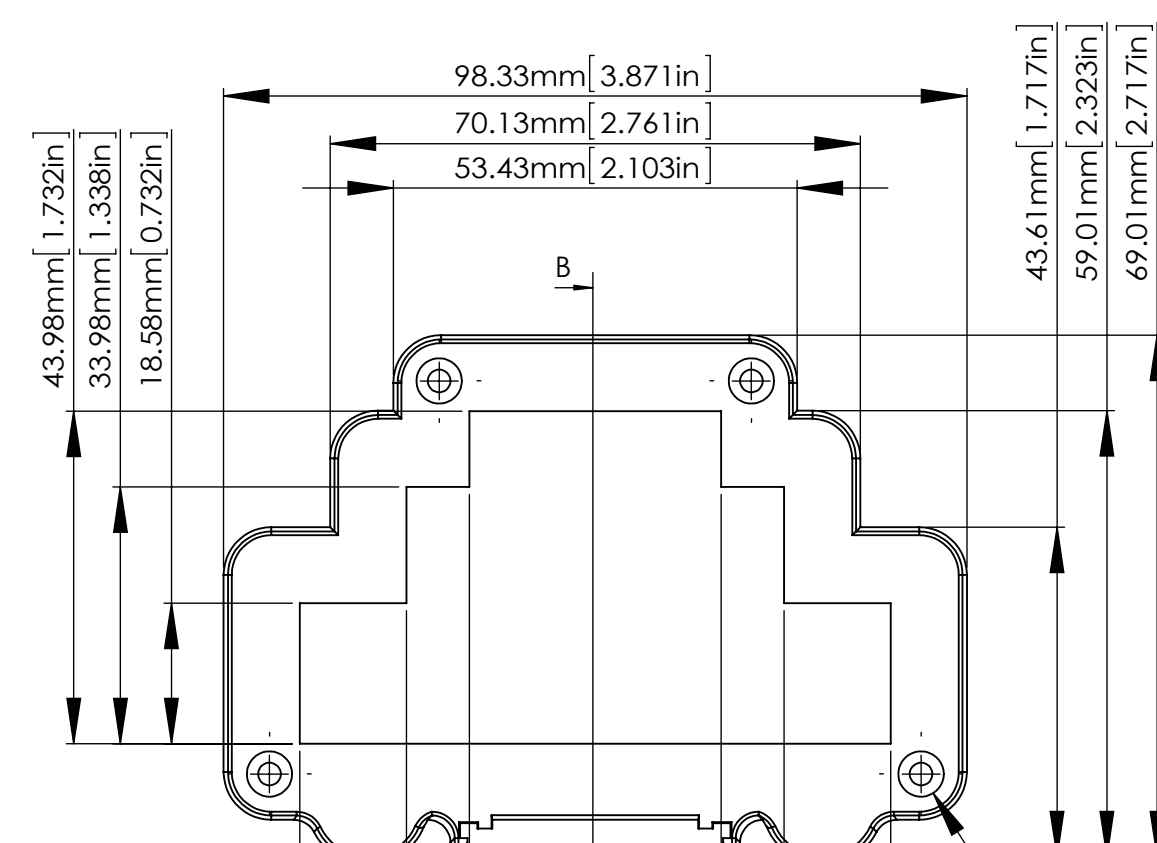


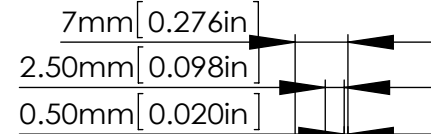
Body

PCB OF POSITION "A" FOR DXMG USE.

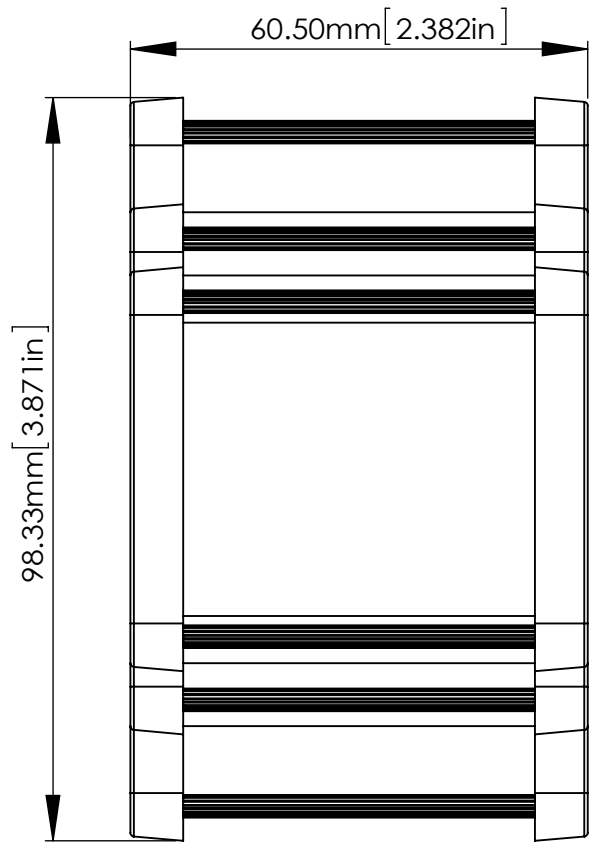


Panel

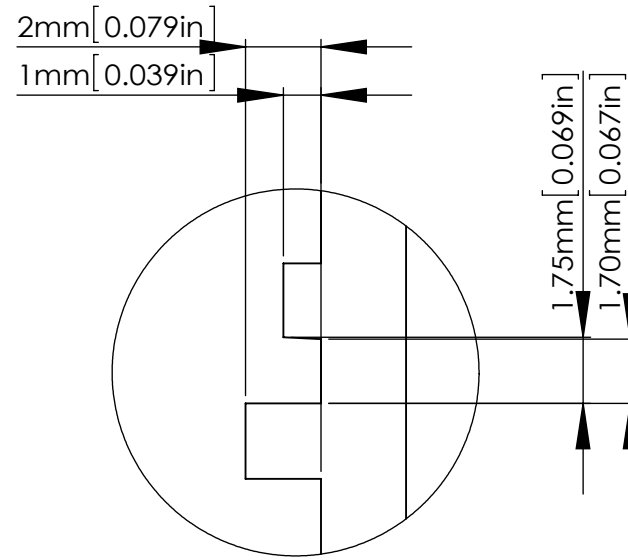
FOUR (4) M3X10mm PAN HEAD SCREWS.



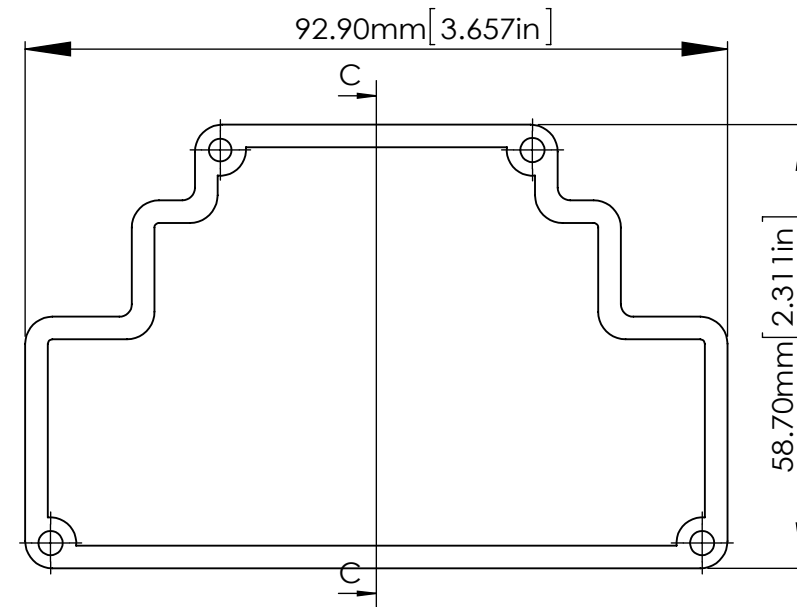
SECTION B-B
SCALE 1:1



ASSEMBLY



SECTION A
SCALE 5:1



Seal

SECTION C-C
SCALE 1:1

TOLERANCES: +/- 0.30 mm (+/- 0.012in)

宣又實業有限公司
GAINTA INDUSTRIES LTD.

繪圖 DRA'D BY
JACKY

日期 DATE
2014/08/30

材質 MATE.
PC-V0/ALUMINIUM EXTRUSION

圖名TITLE:
ALUD3MGX-PXX-V0

圖號DWG NO:

版次REVISED:
A

Model	Dimension(mm)			Body			Panel			Without any seal	With EPDM GASKET	Seal		
	D	W	H	Material	Color	Q'ty	Material	Color	Q'ty			Material	Color	Q'ty
ALUD3MG-PLG-V0	60.5	98.33	69.01	Aluminium extrusion	Painted Grey	1	PC-V0,943A	Painted Grey	2	◎				
ALUD3MGS-PLG-V0	60.5	98.33	69.01	Aluminium extrusion	Painted Grey	1	PC-V0,943A	Painted Grey	2		◎	EPDM	Black	2
ALUD3MG-PBK-V0	60.5	98.33	69.01	Aluminium extrusion	Painted Black	1	PC-V0,943A	Painted Black	2	◎				
ALUD3MGS-PBK-V0	60.5	98.33	69.01	Aluminium extrusion	Painted Black	1	PC-V0,943A	Painted Black	2		◎	EPDM	Black	2

宣又實業有限公司
GAINTA INDUSTRIES LTD.

繪圖 DRA'D BY
JACKY

日期 DATE
2014/08/30

材質 MATE.
PC-V0/ALUMINIUM EXTRUSION

圖名TITLE:
ALUD3MGX-PXX-V0

圖號DWG NO:

版次REVISED:
A