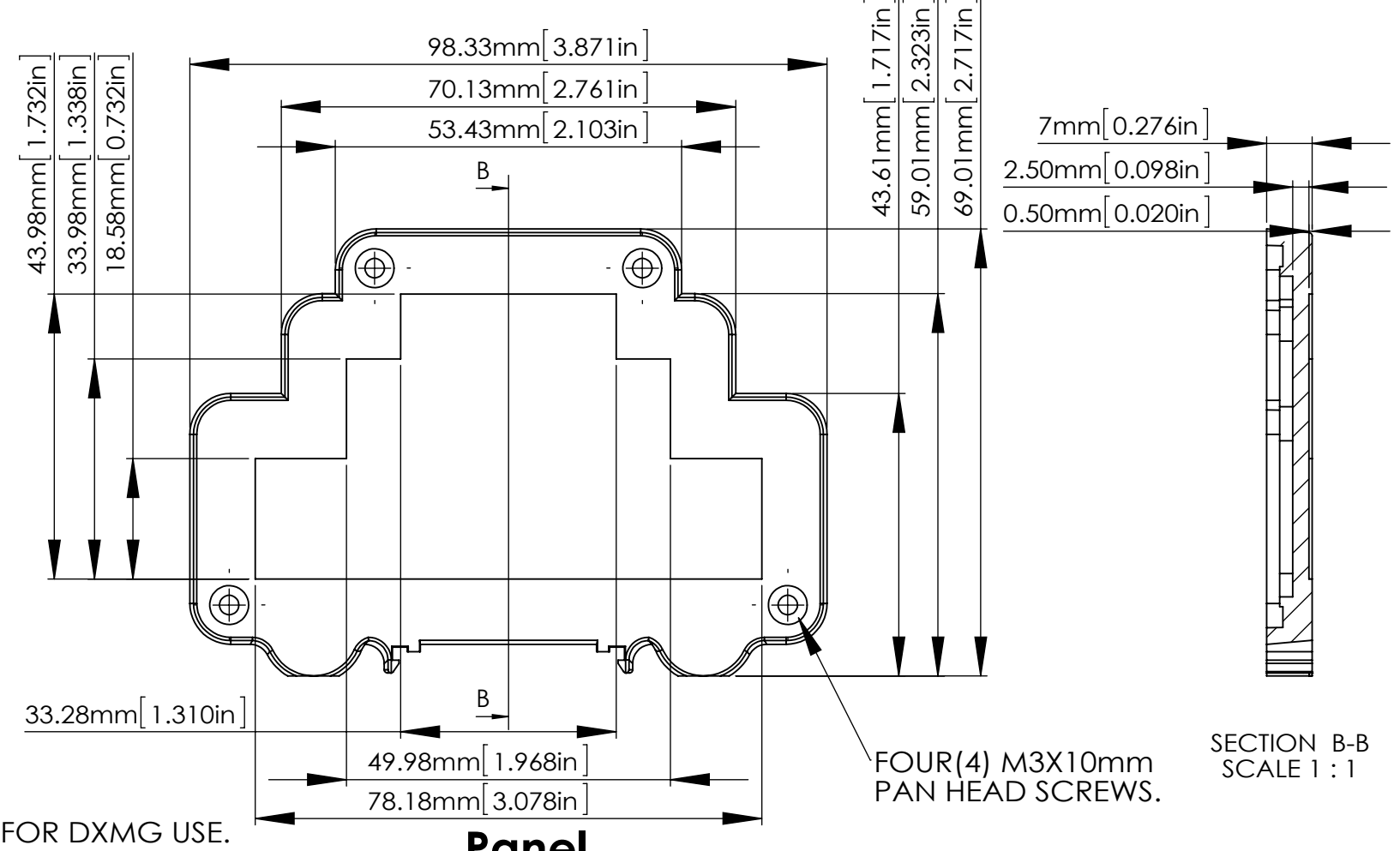
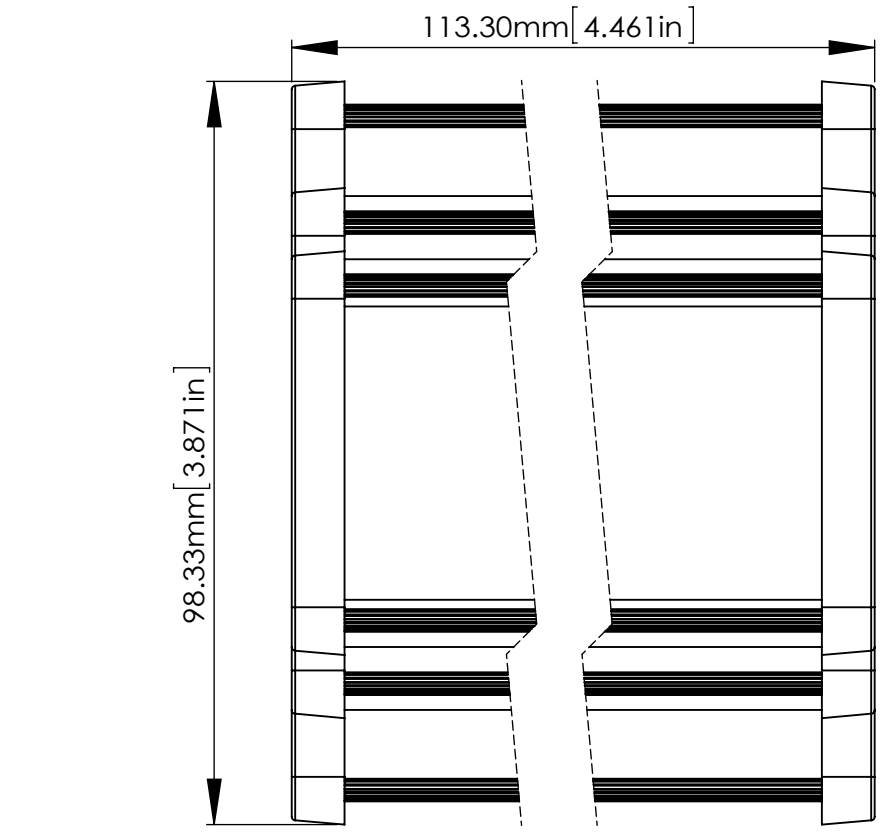


Body

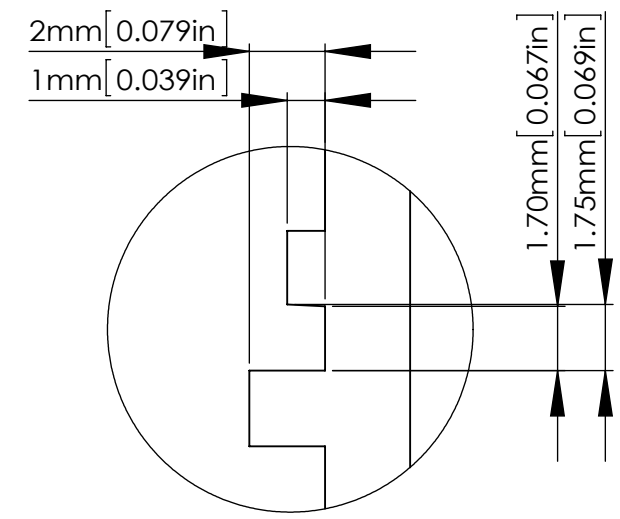


Panel

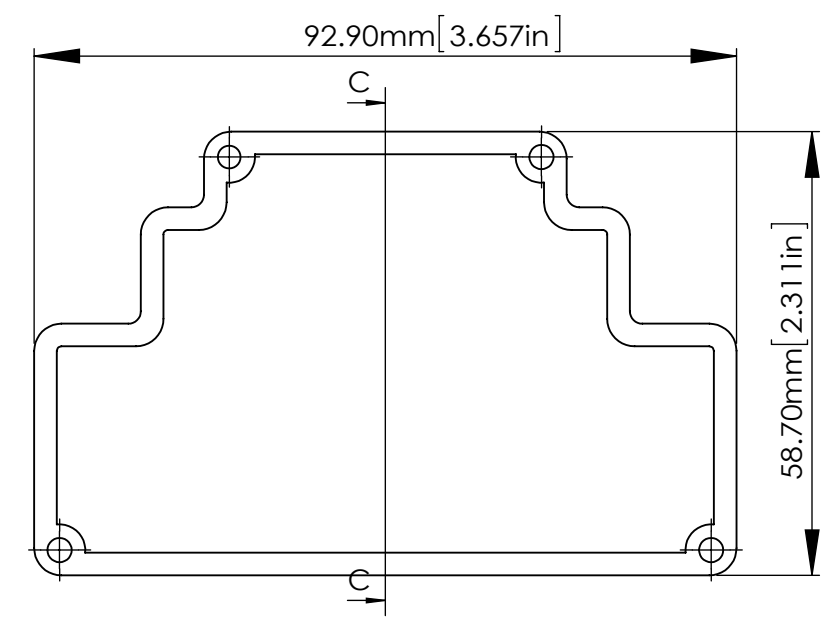
SECTION B-B
SCALE 1 : 1



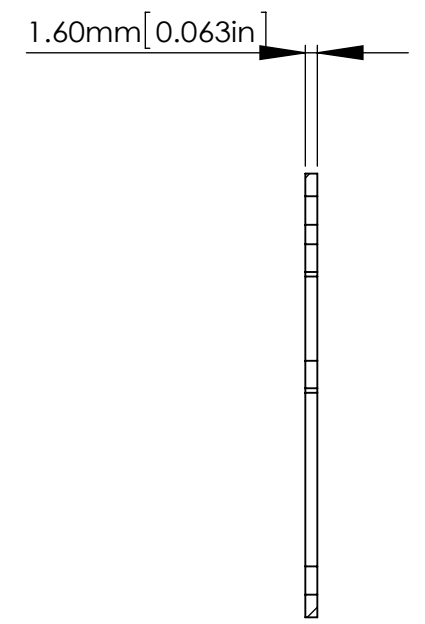
ASSEMBLY



SECTION A
SCALE 5 : 1



Seal



SECTION C-C
SCALE 1 : 1

TOLERANCES: +/- 0.30 mm (+/- 0.012in)

宣又實業有限公司 GAINTA INDUSTRIES LTD.	繪圖	DRA'D BY	日期	DATE	材質	MATE.	圖名TITLE:	圖號DWG NO:	版次REVISED:
		JACKY	2014/08/30		PC-V0/ALUMINIUM EXTRUSION		ALUD6MGX-PXX-V0		A

Model	Dimension(mm)			Body			Panel			Without any seal	With EPDM GASKET	Seal		
	D	W	H	Material	Color	Q'ty	Material	Color	Q'ty			Material	Color	Q'ty
ALUD6MG-PLG-V0	113.3	98.33	69.01	Aluminium extrusion	Painted Grey	1	PC-V0,943A	Painted Grey	2	◎				
ALUD6MGS-PLG-V0	113.3	98.33	69.01	Aluminium extrusion	Painted Grey	1	PC-V0,943A	Painted Grey	2		◎	EPDM	Black	2
ALUD6MG-PBK-V0	113.3	98.33	69.01	Aluminium extrusion	Painted Black	1	PC-V0,943A	Painted Black	2	◎				
ALUD6MGS-PBK-V0	113.3	98.33	69.01	Aluminium extrusion	Painted Black	1	PC-V0,943A	Painted Black	2		◎	EPDM	Black	2

宣又實業有限公司
GAINTA INDUSTRIES LTD.

繪圖 DRA'D BY
JACKY

日期 DATE
2014/08/30

材質 MATE.
PC-V0/ALUMINIUM EXTRUSION

圖名TITLE:
ALUD6MGX-PXX-V0

圖號DWG NO:

版次REVISED:
A