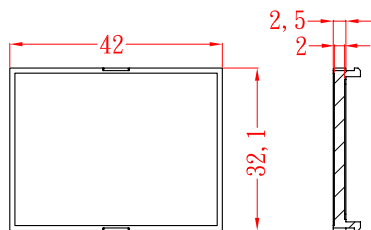
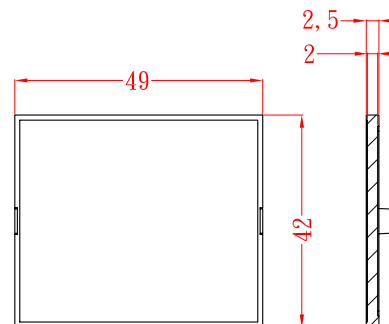


SNAP-IN COVERS(FOR DIN RAIL MODULE BOX)



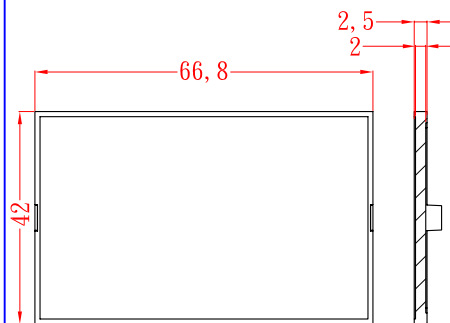
| ITEM NO | DESCRIPTION | MATERIAL |
|---------------|--|------------------|
| D2MG COVER-GY | GREY COVER FOR D2MG DIN-BOX USE | PC/ABS (UL94-V0) |
| D2MG COVER-IR | RED TRANSPARENT COVER FOR D2MG DIN-BOX USE | PC (UL94-V0) |
| D2MG COVER-C | CLEAR COVER FOR D2MG DIN-BOX USE | PC (UL94-V0) |

D2MG-COVER



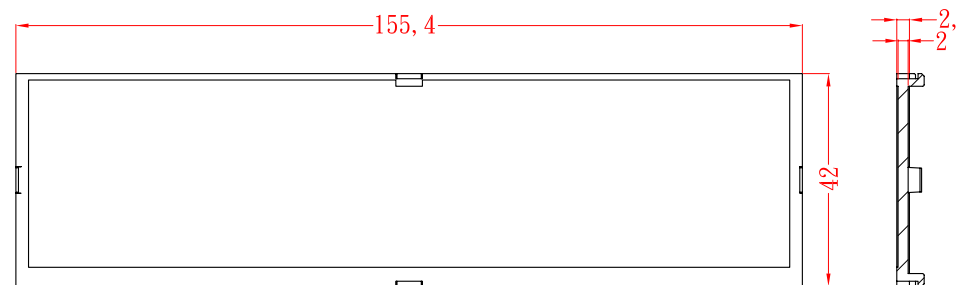
| ITEM NO | DESCRIPTION | MATERIAL |
|---------------|--|------------------|
| D3MG COVER-GY | GREY COVER FOR D3MG DIN-BOX USE | PC/ABS (UL94-V0) |
| D3MG COVER-IR | RED TRANSPARENT COVER FOR D3MG DIN-BOX USE | PC (UL94-V0) |
| D3MG COVER-C | CLEAR COVER FOR D3MG DIN-BOX USE | PC (UL94-V0) |

D3MG-COVER



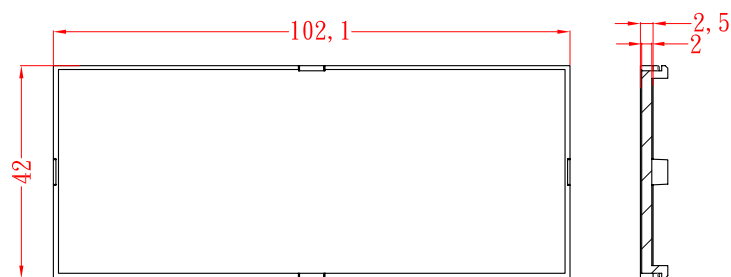
| ITEM NO | DESCRIPTION | MATERIAL |
|---------------|--|------------------|
| D4MG COVER-GY | GREY COVER FOR D4MG DIN-BOX USE | PC/ABS (UL94-V0) |
| D4MG COVER-IR | RED TRANSPARENT COVER FOR D4MG DIN-BOX USE | PC (UL94-V0) |
| D4MG COVER-C | CLEAR COVER FOR D4MG DIN-BOX USE | PC (UL94-V0) |

D4MG-COVER



| ITEM NO | DESCRIPTION | MATERIAL |
|---------------|--|------------------|
| D9MG COVER-GY | GREY COVER FOR D9MG DIN-BOX USE | PC/ABS (UL94-V0) |
| D9MG COVER-IR | RED TRANSPARENT COVER FOR D9MG DIN-BOX USE | PC (UL94-V0) |
| D9MG COVER-C | CLEAR COVER FOR D9MG DIN-BOX USE | PC (UL94-V0) |

D9MG-COVER



| ITEM NO | DESCRIPTION | MATERIAL |
|---------------|--|------------------|
| D6MG COVER-GY | GREY COVER FOR D6MG DIN-BOX USE | PC/ABS (UL94-V0) |
| D6MG COVER-IR | RED TRANSPARENT COVER FOR D6MG DIN-BOX USE | PC (UL94-V0) |
| D6MG COVER-C | CLEAR COVER FOR D6MG DIN-BOX USE | PC (UL94-V0) |

D6MG-COVER

| According to ISO 2768-m | | | |
|-------------------------|-----------|-------------------|-----------|
| Measuring DIM.=L | Tolerance | Measuring DIM.=L | Tolerance |
| 0.5<L≤3.0 mm | ±0.1 mm | 30.0<L≤120.0 mm | ±0.3 mm |
| 3.0<L≤6.0 mm | ±0.1 mm | 120.0<L≤400.0 mm | ±0.5 mm |
| 6.0<L≤30.0 mm | ±0.2 mm | 400.0<L≤1000.0 mm | ±0.8 mm |