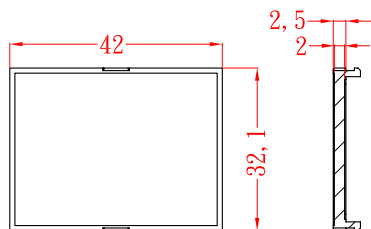
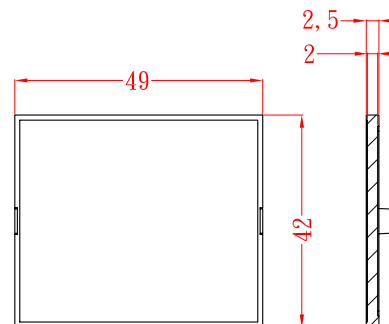


# SNAP-IN COVERS(FOR DIN RAIL MODULE BOX)



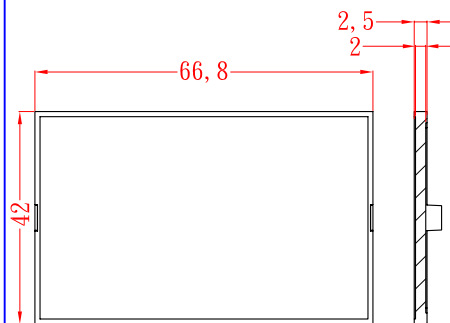
ITEM NO	DESCRIPTION	MATERIAL
D2MG COVER-GY	GREY COVER FOR D2MG DIN-BOX USE	PC/ABS (UL94-V0)
D2MG COVER-IR	RED TRANSPARENT COVER FOR D2MG DIN-BOX USE	PC (UL94-V0)
D2MG COVER-C	CLEAR COVER FOR D2MG DIN-BOX USE	PC (UL94-V0)

D2MG-COVER



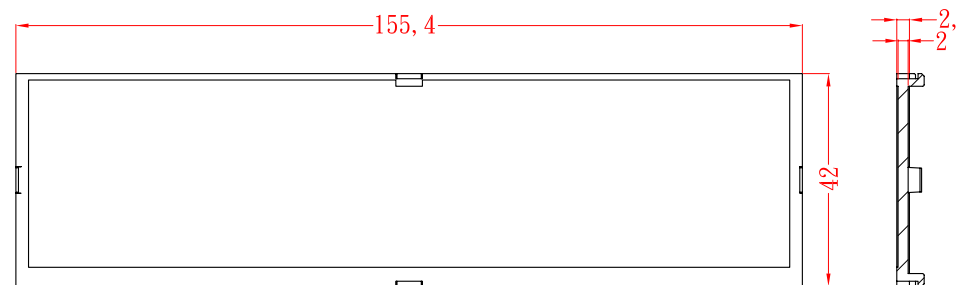
ITEM NO	DESCRIPTION	MATERIAL
D3MG COVER-GY	GREY COVER FOR D3MG DIN-BOX USE	PC/ABS (UL94-V0)
D3MG COVER-IR	RED TRANSPARENT COVER FOR D3MG DIN-BOX USE	PC (UL94-V0)
D3MG COVER-C	CLEAR COVER FOR D3MG DIN-BOX USE	PC (UL94-V0)

D3MG-COVER



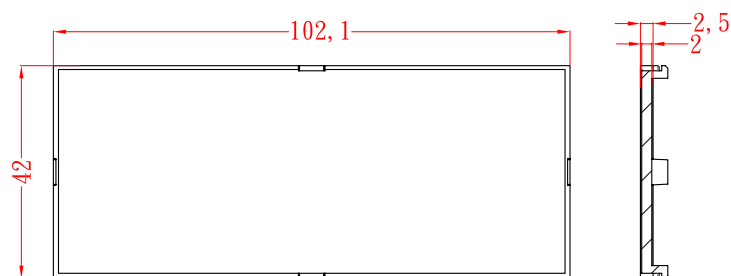
ITEM NO	DESCRIPTION	MATERIAL
D4MG COVER-GY	GREY COVER FOR D4MG DIN-BOX USE	PC/ABS (UL94-V0)
D4MG COVER-IR	RED TRANSPARENT COVER FOR D4MG DIN-BOX USE	PC (UL94-V0)
D4MG COVER-C	CLEAR COVER FOR D4MG DIN-BOX USE	PC (UL94-V0)

D4MG-COVER



ITEM NO	DESCRIPTION	MATERIAL
D9MG COVER-GY	GREY COVER FOR D9MG DIN-BOX USE	PC/ABS (UL94-V0)
D9MG COVER-IR	RED TRANSPARENT COVER FOR D9MG DIN-BOX USE	PC (UL94-V0)
D9MG COVER-C	CLEAR COVER FOR D9MG DIN-BOX USE	PC (UL94-V0)

D9MG-COVER



ITEM NO	DESCRIPTION	MATERIAL
D6MG COVER-GY	GREY COVER FOR D6MG DIN-BOX USE	PC/ABS (UL94-V0)
D6MG COVER-IR	RED TRANSPARENT COVER FOR D6MG DIN-BOX USE	PC (UL94-V0)
D6MG COVER-C	CLEAR COVER FOR D6MG DIN-BOX USE	PC (UL94-V0)

D6MG-COVER

According to ISO 2768-m			
Measuring DIM.=L	Tolerance	Measuring DIM.=L	Tolerance
0.5<L≤3.0 mm	±0.1 mm	30.0<L≤120.0 mm	±0.3 mm
3.0<L≤6.0 mm	±0.1 mm	120.0<L≤400.0 mm	±0.5 mm
6.0<L≤30.0 mm	±0.2 mm	400.0<L≤1000.0 mm	±0.8 mm