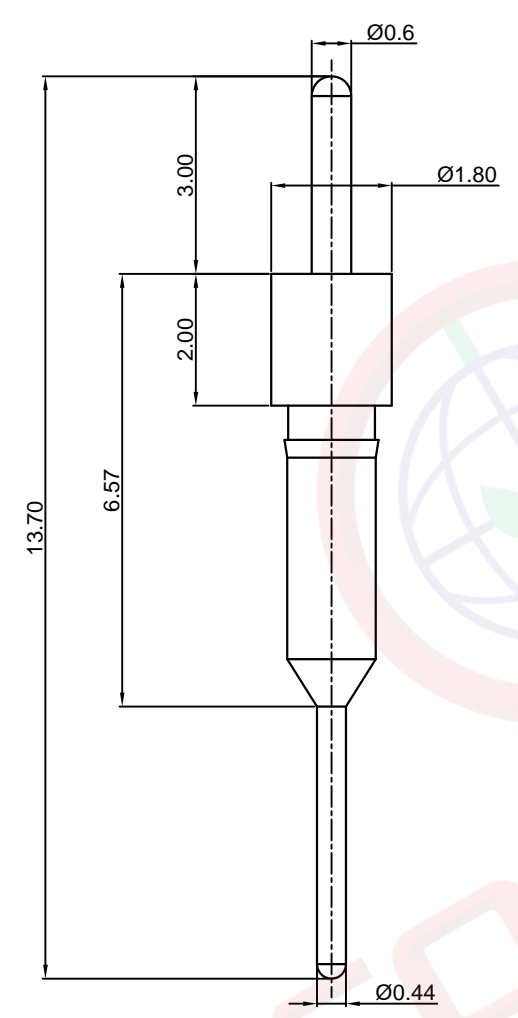


Dept	Qty
DC	1
ED	1
IE	1
ISO	1
PD	1
R&D	1
SD	1
QA	1
QC	1
QE	1

The information provided herein is from CONNELY Electronic Co., Ltd. and is confidential. Any disclosure to a party other than the recipient is prohibited. The intellectual properties and its rights contained herein, including but not limited to, trademarks, patents, copyrights, trade secrets, and technical know-how, are owned exclusively by CONNELY or its affiliates. Unauthorized use or reproduction of any part of this document is strictly prohibited. CONNELY reserves all rights in any format or manner. CONNELY may enforce its intellectual property rights at its own discretion, failures or delays to exercise such rights does not constitute a waiver of such rights.



(Series Image-Reference Only)

REV.	DESCRIPTION	DRAWN	CHECKED	APPROVED
A	NEW RELEASE	HP 07/09/05'		LJC 07/09/05'
B	DRAWING UPDATE	JLZ 05/27/16'	HZW 05/27/16'	LJC 05/27/16'
C	DRAWING UPDATE	JLZ 08/01/18'		

Technical data

- Material
  - . Pin: Brass, Machined, CuZn38Pb2
- Electrical
  - . Current Rating: 1A max.
  - . Operating Voltage: 60V max.
- Product number code:

DS1006-08 - X

- Pin plated
- 6: Full Tin
- 8: Full Gold flash
- C: Full Gold 3u"
- A: Full Gold 10u"
- B: Full Gold 15u"

Series No.  
DS1006-08

GENERAL TOLERANCE		ANGLE TOLERANCE		PROJECTION		TITLE	
X.	±0.60	X.	±5°	UNITS	mm	BOARD TO BOARD TERMINALS 13.7mm	
.X	±0.38	.X	±3°	SHEET SIZE	A4	SERIES	DS1006-08 SERIES
.XX	±0.25	.XX	±2°	<b>晨翔电子有限公司</b> <b>CONNELY ELECTRONIC CO. LTD</b>			
DRAWING TYPE		CUSTOMER					
SCALE	1:1	SHEET	1 OF 1				
DRAWING NO.		C-DS1006-08-X-C					