

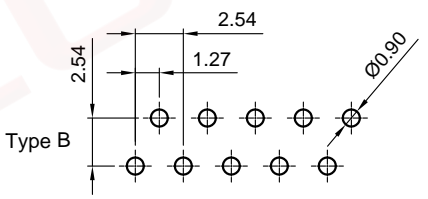
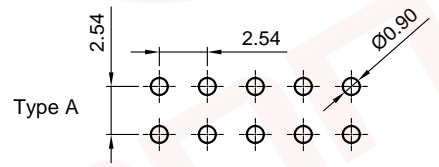
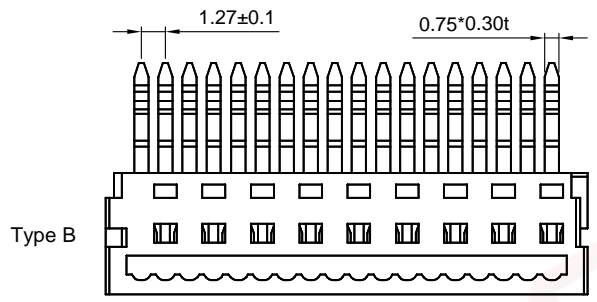
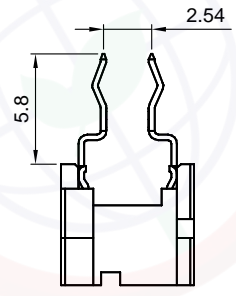
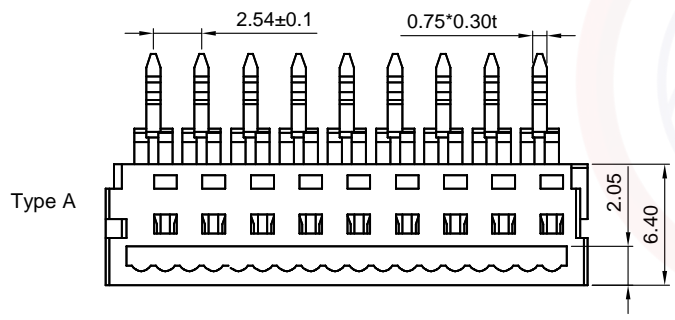
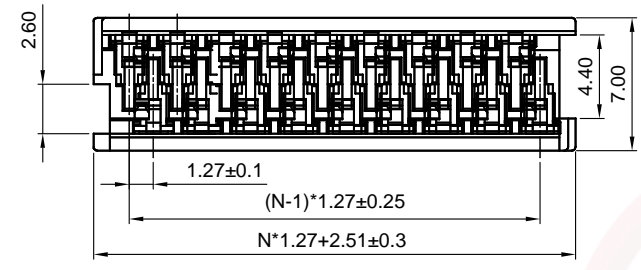
Dept	
Qty	
DC	1
ED	1
IE	1
ISO	1
PD	1
R&D	1
SD	1
QA	1
QC	1
QE	1

The information provided herein is from CONNELY Electronic Co., Ltd. and is confidential. Any disclosure to a party other than the recipient is prohibited. The intellectual properties and its rights contained herein, including but not limited to, trademarks, patents, copyrights, trade secrets, and technical know-how, are owned exclusively by CONNELY or its affiliates. Unauthorized use or reproduction of any part of this document, in any form or by any means, without the prior written permission of CONNELY, is strictly prohibited. CONNELY may enforce its intellectual property rights at its own discretion, failures or delays to exercise such rights does not constitute a waiver of such rights.

REV.	DESCRIPTION	DRAWN	CHECKED	APPROVED
A	NEW RELEASE	JLZ 03/30/20'		

A  
B  
C  
D  
E  
F  
G  
H

N=No. of contacts



Recommend PCB layout  
(Tolerance:±0.05)



(Series Image-Reference Only)

Notes:

Specifications:

- Contact Resistance: 20mΩ Max.
- Insulation Resistance: 1000MΩ Min.
- Dielectric Withstanding Voltage: 500V AC(rms) For 1 Minute.
- Current Rating:2.4A.
- Temperature: -40°C~+105°C.

Materials:

- Contact Material: Copper Alloy.
- Contact Plating: Gold or Tin Plated.
- Insulator Material: PBT,White,UL94-V0.

Product Number Code:

DS1015-12 - X X X X X

- Bend type  
A:Type A  
B:Type B
- Packing type  
B:Tube  
P:Polybag  
R:Tape on reel
- Contact plating  
6: Full Tin  
8: Full gold flash
- Housing color  
W:White
- No. of contacts  
04 06 08 10 12 14  
16 18 20 24 26

GENERAL TOLERANCE		ANGLE TOLERANCE	
X.	±0.60	X.	±5°
.X	±0.38	.X	±3°
.XX	±0.25	.XX	±2°
DRAWING TYPE		CUSTOMER	
SCALE	1:1	SHEET	1 OF 1
DRAWING NO.	C-DS1015-12-XXXXX-A		

PROJECTION	TITLE
	1.27mm White IDC Connector For Cable Straight Dip Type
UNITS	mm
SHEET SIZE	A4
SERIES	DS1015-12 SERIES

晨翔电子有限公司  
CONNFLY CONNELY ELECTRONIC CO., LTD

B  
C  
D  
E  
F  
G  
H