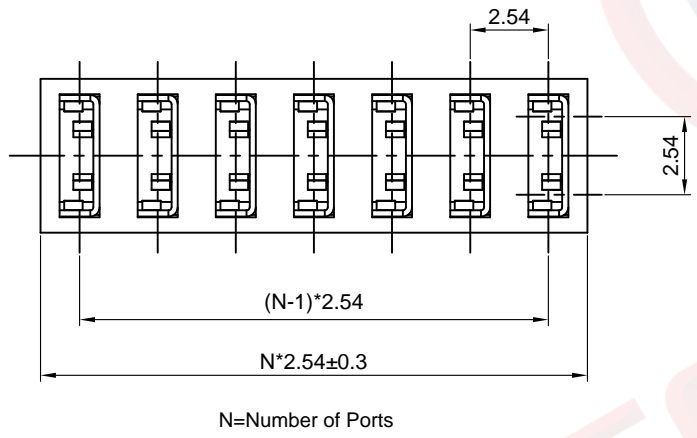
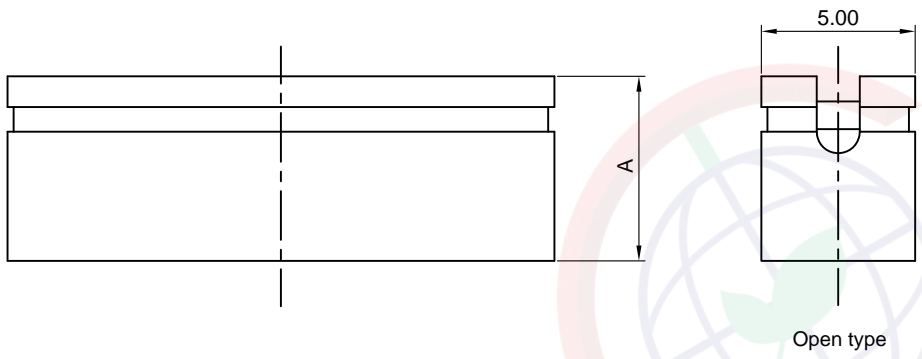


Dept	
Qty	
DC	1
ED	1
IE	1
ISO	1
PD	1
R&D	1
SD	1
QA	1
QC	1
QE	1

REV.	DESCRIPTION	DRAWN	CHECKED	APPROVED
A	NEW RELEASE	LJC 08/16/07'		LJC 08/16/07'
B	DRAWING UPDATE	JLZ 10/21/16'		

The information provided herein is from CONNELY Electronic Co., Ltd. and is confidential. Any disclosure to a party other than the recipient is prohibited. The intellectual properties and its rights contained herein, including but not limited to, trademarks, patents, copyrights, trade secrets, and technical know-how, are owned exclusively by CONNELY or its affiliates. Unauthorized use of any part of this document, in any form or by any means, without the prior written permission of CONNELY is strictly prohibited. CONNELY may enforce its intellectual property rights at its own discretion, failures or delays to exercise such rights does not constitute a waiver of such rights.



(Series Image-Reference Only)

Notes:
 Specifications:
 1. Contact Resistance: 20mΩ Max.
 2. Insulation Resistance: 1000MΩ Min.
 3. Dielectric Withstanding Voltage: 500V AC(rms) For 1 Minute.
 4. Current Rating:3A.
 5. Temperature: -40°C~+105°C.
 Materials:
 1. Contact Material: Copper Alloy.
 2. Insulator Material: Thermoplastic.
 Product Number Code:

DS1027-02 - X X X X X

- Profile height(DIM A): 0:6.0mm
- Contact plating:
F1: Full gold flash
N: Nickel
2: Gold+Nickel
- Housing color:
B: Black U:Blue Y:Yellow
W: White E:Green R:Red
- Housing type:
A:Open
- No.of contacts:
2-9

GENERAL TOLERANCE		ANGLE TOLERANCE		PROJECTION		TITLE	2.54mm Mini Jumper	
X.	±0.60	X.	±5°	UNITS	mm	Stack type 2-9 ports		
.X	±0.38	.X	±3°	SHEET SIZE	A4	SERIES	DS1027-02 SERIES	
.XX	±0.25	.XX	±2°	晨翔电子有限公司 CONNFLY ELECTRONIC CO. LTD				
DRAWING TYPE		CUSTOMER						
SCALE	1:1	SHEET	1 OF 1					
DRAWING NO.		C-DS1027-02-XXXXX-B						