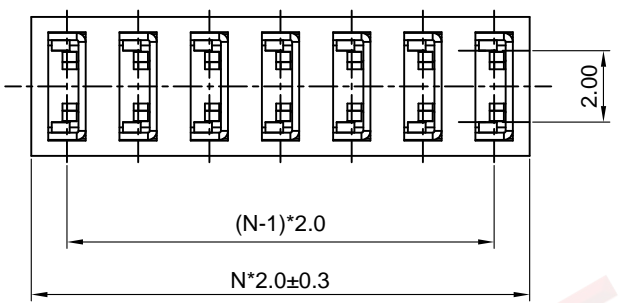
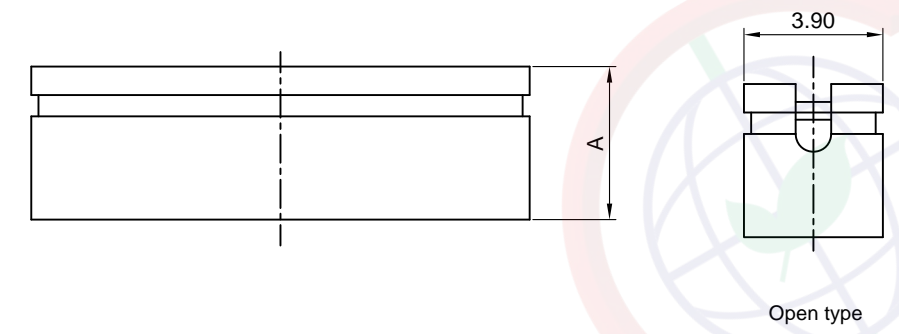


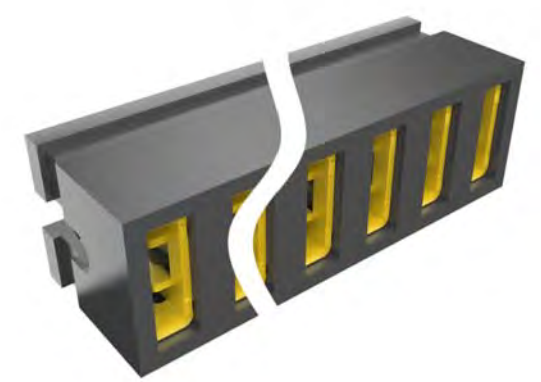
Dept	Qty
DC	1
ED	1
IE	1
ISO	1
PD	1
R&D	1
SD	1
QA	1
QC	1
QE	1

The information provided herein is from CONNELY Electronic Co., Ltd. and is confidential. Any disclosure to a party other than the recipient is prohibited. The intellectual properties and its rights contained herein, including but not limited to, trademarks, patents, copyrights, trade secrets, and technical know-how, are owned exclusively by CONNELY or its affiliates. Unauthorized use or reproduction of any part of this document is strictly prohibited. CONNELY may enforce its intellectual property rights at its own discretion, failures or delays to exercise such rights does not constitute a waiver of such rights.

REV.	DESCRIPTION	DRAWN	CHECKED	APPROVED
A	NEW RELEASE	LJC 08/16/07'		LJC 08/16/07'
B	DRAWING UPDATE	JLZ 10/22/16'		



N=Number of Ports



(Series Image-Reference Only)

- Notes:
- Specifications:
- Contact Resistance: 30mΩ Max.
  - Insulation Resistance: 500MΩ Min.
  - Dielectric Withstanding Voltage: 250V AC(rms) For 1 Minute.
  - Current Rating:1.5A.
  - Temperature: -40°C~+105°C.
- Materials:
- Contact Material: Copper Alloy.
  - Insulator Material: Thermoplastic.
- Product Number Code:
- DS1028-01 - X X X X X
- Profile height(DIM A): 3:4.3mm
  - Contact plating: F1: Full gold flash N: Nickel 2: Gold+Nickel
  - Housing color: B: Black U:Blue Y:Yellow W: White E:Green R:Red
  - Housing type: A:Open
  - No.of contacts: 3~10

GENERAL TOLERANCE		ANGLE TOLERANCE		PROJECTION		TITLE	
X.	±0.60	X.	±5°	UNITS	mm	2.00mm Mini Jumper Stack type 3-10 ports	
.X	±0.38	.X	±3°	SHEET SIZE	A4	SERIES	DS1028-01 SERIES
.XX	±0.25	.XX	±2°	<b>晨翔电子有限公司</b> <b>CONNFLY ELECTRONIC CO. LTD</b>			
DRAWING TYPE		CUSTOMER					
SCALE	1:1	SHEET	1 OF 1				
DRAWING NO.		C-DS1028-01-XXXXX-B					