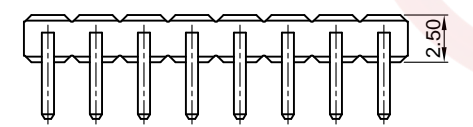
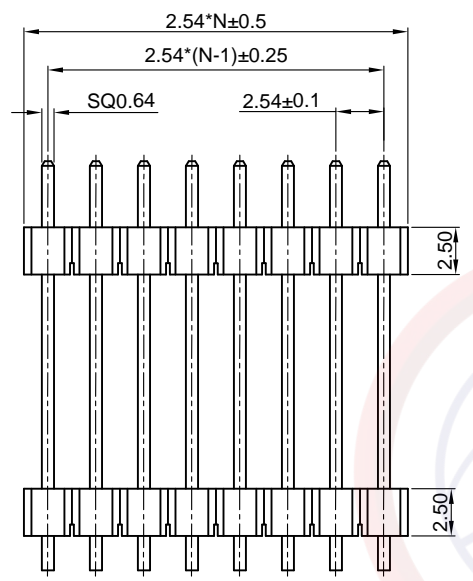
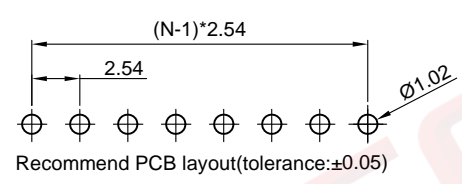


Dept	
Qty	
DC	1
ED	1
IE	1
ISO	1
PD	1
R&D	1
SD	1
QA	1
QC	1
QE	1

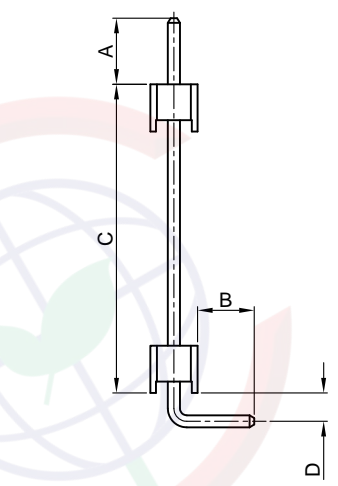
The information provided herein is from CONNELY Electronic Co., Ltd. and is confidential. Any disclosure to a party other than the recipient is prohibited. The intellectual properties and its rights contained herein, including but not limited to, trademarks, patents, copyrights, trade secrets, and technical know-how, are owned exclusively by CONNELY or its affiliates. Unauthorized use or reproduction of any part of this document is strictly prohibited. CONNELY may enforce its intellectual property rights at its own discretion, failures or delays to exercise such rights does not constitute a waiver of such rights.



N=Number of contacts



(Series Image-Reference Only)



TYPE	DIM A	DIM B	DIM C	DIM D	PIN LENGTH
1	3.50	3.00	16.33	1.50	25.10
2	3.50	3.00	6.33	1.50	15.10

REV.	DESCRIPTION	DRAWN	CHECKED	APPROVED
A	NEW RELEASE	YCH 05/19/08'		LJC 05/19/08'
B	DRAWING UPDATE	JLZ 08/14/19'		

- Notes:
- Electrical Characteristics:
 - Contact Resistance: 20mΩ Max.
 - Dielectric Withstanding Voltage: 600V AC(rms) For 1 Minute.
 - Insulation Resistance: 1000MΩ Min.
 - Current Rating:3A.
 - Environment Characteristics:
 - Temperature: -40°C~+105°C.
 - Materials:
 - Contact Material: Copper Alloy.
 - Contact Plating: Gold Plating Over Nickel.
 - Insulator Materials: PBT,Black,UL94-V0.
 - Product Number Code:

DS1029-02 - X X X X X X - X

 - Plating level
B: Level B 3A: Level 3A
 - DIM.A B C D Type
1: Type 1
2: Type 2
or A*.*B*.*C*.*D*.*
 - Mounting type
R: R/A Type
 - Housing color
B: Black
 - Connector plating
8: Full gold flash
 - Conect type
P: Plug
 - No.of contacts
1x1-1x40

GENERAL TOLERANCE		ANGLE TOLERANCE		PROJECTION		TITLE	
X.	±0.60	X.	±5°		mm	2.54mm Pin Header R/A Type	
.X	±0.38	.X	±3°				
.XX	±0.25	.XX	±2°				
DRAWING TYPE		CUSTOMER		SHEET		SERIES	
SCALE		1:1		SHEET		DS1029-02 SERIES	
DRAWING NO.		C-DS1029-02-XXXXX-B		1 OF 1			

