

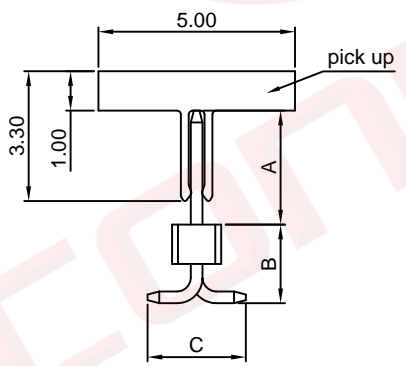
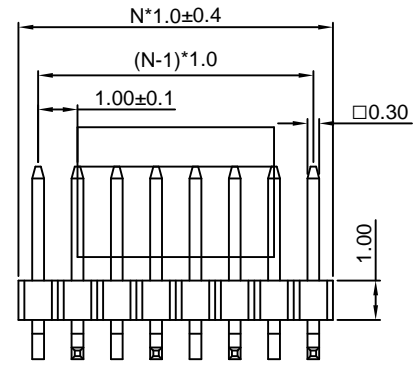
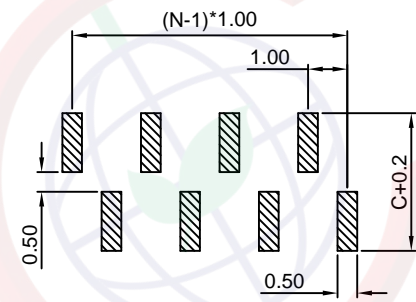
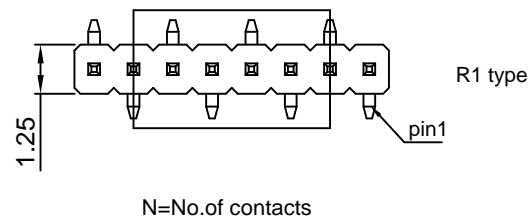
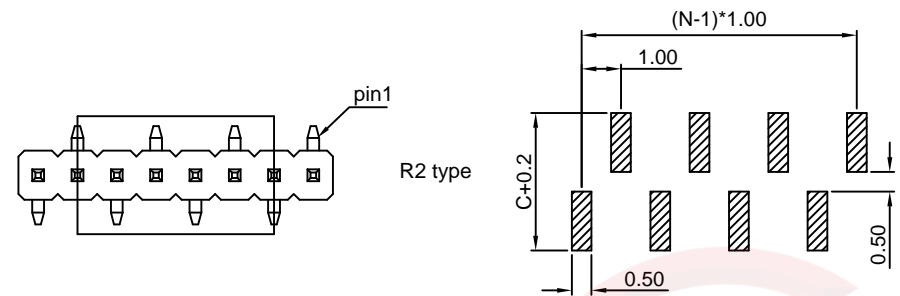
Dept	Qty
DC	1
ED	1
IE	1
ISO	1
PD	1
R&D	1
SD	1
QA	1
QC	1
QE	1

The information provided herein is from CONNELY Electronic Co., Ltd. and is confidential. Any disclosure to a party other than the recipient is prohibited. The intellectual properties and its rights contained herein, including but not limited to, trademarks, patents, copyrights, trade secrets, and technical know-how, are owned exclusively by CONNELY or its affiliates. Unauthorized use or reproduction of any part of this document is strictly prohibited. CONNELY may enforce its intellectual property rights at its own discretion, failures or delays to exercise such rights does not constitute a waiver of such rights.

REV.	DESCRIPTION	DRAWN	CHECKED	APPROVED
A	NEW RELEASE	LJH 02/21/08'		LJC 02/21/08'
B	DRAWING UPDATE	JLZ 08/17/20'		

Notes:
 Specifications:
 1. Contact Resistance: 20mΩ Max.
 2. Insulation Resistance: 500MΩ Min.
 3. Dielectric Withstanding Voltage: 300V AC(rms) For 1 Minute.
 4. Current Rating:0.75A.
 5. Temperature: -40°C~+105°C.
 Materials:
 1. Contact Material: Copper Alloy.
 2. Contact Plating: Gold Plating Over Nickel.
 3. Insulator Material: High temp,Black,UL94-V0.
 Product Number Code:
 DS1031-33 - X X X X X X X X - X

- Plating level
- 3A: Level 3A
- Packing type
- B:Tube
- R:Tape on reel
- Pick up support
- S:W/ Pick up
- X:W/O Pick up
- Bend type
- 1:R1 type
- 2:R2 type
- DIM.A B C type
- 1: Type 1
- or A*.*-B*.*C*.*
- Mounting type
- S: SMT type
- Housing color
- B:Black
- Contact plating
- 8: Full gold flash
- Connector type
- P:Plug
- No.of contacts
- 1x3-1x40



Type	DIM A	DIM B	DIM C
1	3.20	2.80	6.50



(Series Image-Reference Only)

GENERAL TOLERANCE		ANGLE TOLERANCE	
X.	±0.60	X.	±5°
.X	±0.38	.X	±3°
.XX	±0.25	.XX	±2°
DRAWING TYPE		CUSTOMER	
SCALE	1:1	SHEET	1 OF 1
DRAWING NO.	C-DS1031-33-XXXXXXX-X-B		

PROJECTION	TITLE
	1.00mm Pin Header Single Row SMT Type
UNITS	mm
SHEET SIZE	A4
SERIES	DS1031-33 SERIES

晨翔电子有限公司
CONNFLY CONNELY ELECTRONIC CO. LTD