

| REV. | DESCRIPTION | DRAWN | CHECKED | APPROVED |
|------|-------------|-----------------|---------|----------|
| A | NEW RELEASE | Kevin 04/26/16' | | |
| | | | | |
| | | | | |

NOTES:

- ELECTRICAL CHARACTERISTICS:
 - CONTACT RESISTANCE: 20mΩ Max. INITIAL.
 - DIELECTRIC WITHSTANDING VOLTAGE: 500V AC(rms) FOR 1 MINUTE.
 - INSULATION RESISTANCE: 1000MΩ Min.
 - CURRENT RATING: 3A PER PIN MAX.
- ENVIRONMENT CHARACTERISTICS:
 - TEMPERATURE RANGE: -40°C~+105°C.
 - RECOMMEND SOLDERING HEAT: 245°C 3-5s.
- PRODUCT NUMBER CODE:

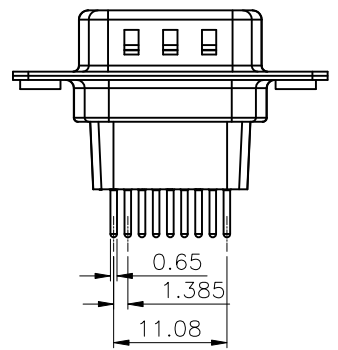
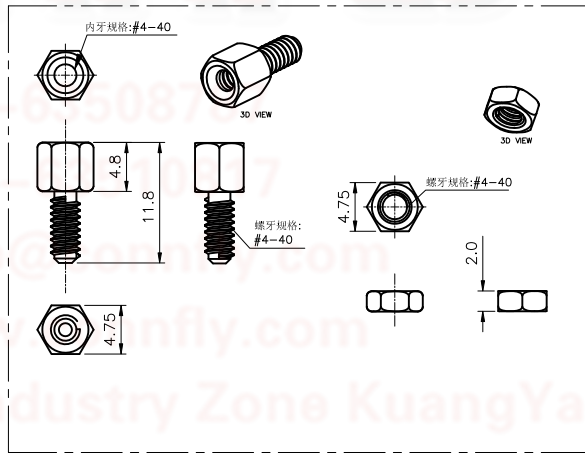
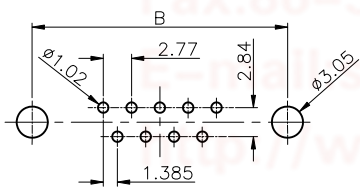
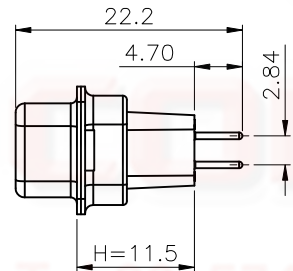
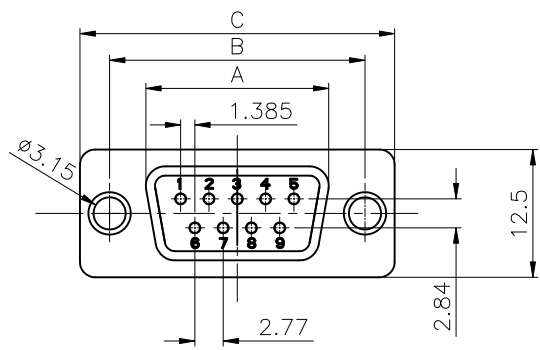
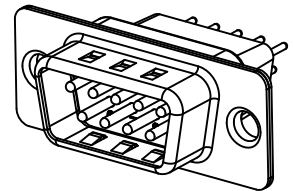
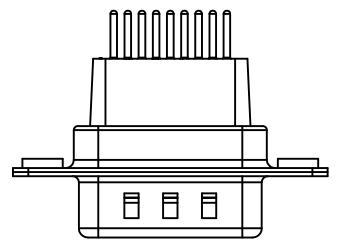
DS1034-26- X X X X X X

- SCREW TYPE
S: Standard(W/O nut)
- CONTACT PLATING
SI: FULL GOLD FLASH
C: FULL 3u" GOLD
- SHELL PLATING
N: FORNT SHELL NICKEL, BACK SHELL TIN
- HOUSING COLOR
B: BLACK
W: WHITE
U: BLUE
- CONNECTOR TYPE
M: MALE
- No. OF CONTACTS
09: 9pos.
15: 15pos.
25: 25pos.
37: 37pos.
50: 50pos.

Dimension

| Position | A±0.2 | B±0.2 | C±0.3 |
|----------|-------|-------|-------|
| 9 | 17.90 | 24.99 | 30.80 |
| 15 | 26.50 | 33.32 | 39.14 |
| 25 | 40.00 | 47.04 | 53.04 |
| 37 | 56.50 | 63.50 | 69.32 |

3D VIEW



| GENERAL TOLERANCE | | ANGLE TOLERANCE | |
|-------------------|-------|-----------------|-----|
| X. | ±0.60 | X. | ±5° |
| .X | ±0.38 | .X | ±3° |
| .XX | ±0.25 | .XX | ±2° |

| | | | |
|------------|----|--------|---------------------------------|
| PROJECTION | | TITLE | D-SUB DIP VERTICAL THROUGH TYPE |
| UNITS | mm | | MALE H=11.5mm |
| SHEET SIZE | A4 | SERIES | DS1034-26 SERIES |

| | | | |
|--------------|-----------------------------|-------|--------|
| DRAWING TYPE | CUSTOMER | | |
| SCALE | 1:1 | SHEET | 1 OF 1 |
| DRAWING NO. | C-DS1034-26- X X X X X X -A | | |

晨翔电子有限公司
CONNFLY CONNFLY ELECTRONIC CO., LTD