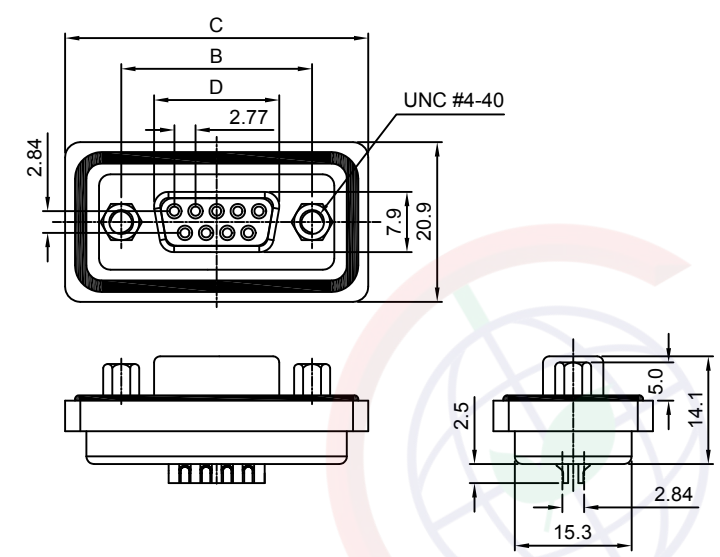


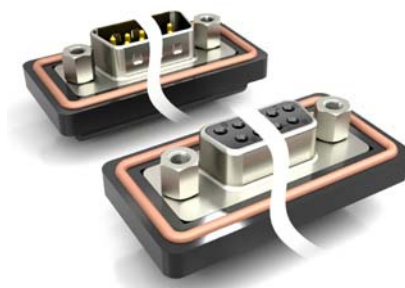
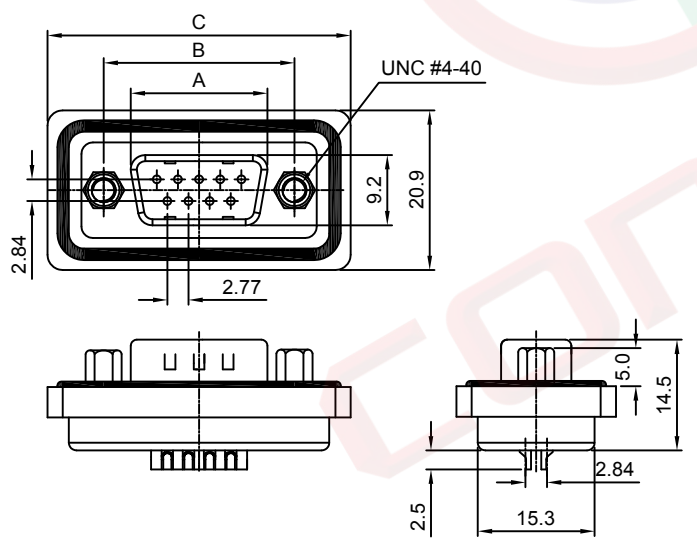
Dept
Qty
DC 1
ED 1
IE 1
ISO 1
PD 1
R&D 1
SD 1
QA 1
QC 1
QE 1

The information provided herein is from CONNELY Electronic Co., Ltd. and is confidential. Any disclosure to a party other than the recipient is prohibited. The intellectual properties and its rights contained herein, including but not limited to, trademarks, patents, copyrights, trade secrets, and technical know-how, are owned exclusively by CONNELY or its affiliates. Unauthorized use or reproduction of any part of this document is strictly prohibited. CONNELY may enforce its intellectual property rights at its own discretion, failures or delays to exercise such rights does not constitute a waiver of such rights.

Female



Male

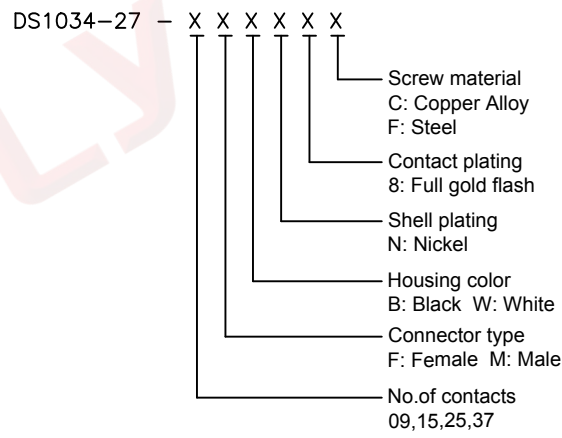


(Series Image-Reference Only)

Position	A±0.3	B±0.3	C±0.3	D
9	17.90	24.99	30.80	16.33
15	26.50	33.32	39.14	24.66
25	40.00	47.04	53.04	38.38
37	56.50	63.50	69.32	54.84

REV.	DESCRIPTION	DRAWN	CHECKED	APPROVED
A	NEW RELEASE	JLZ 05/16/17'		
B	DRAWING UPDATE	JLZ 09/12/20'		

- NOTES:
- Specifications:
 - Contact resistance: 20mΩ Max. Initial.
 - Dielectric withstanding voltage: 500V AC(rms) for 1 minute.
 - Insulation resistance: 1000MΩ Min.
 - Current rating: 3A/Pin Max.
 - Voltage rating: 250V AC/DC.
 - Temperature range: -40°C~+105°C.
 - Materials:
 - Insulator: PBT with glass fiber,RoHS Compliance.
 - Shell: Steel.
 - Contact: Copper alloy.
 - Product number code:



GENERAL TOLERANCE		ANGLE TOLERANCE		PROJECTION	TITLE	
X.	±0.60	X.	±5°		Water Proof D-SUB Machine Pin Solder Type	
.X	±0.38	.X	±3°	UNITS		mm
.XX	±0.25	.XX	±2°	SHEET SIZE		A4
DRAWING TYPE		CUSTOMER		SERIES	DS1034-27 SERIES	
SCALE		1:1		SHEET 1 OF 1		
DRAWING NO.		C-DS1034-27-XXXXXX-B		晨翔电子有限公司 CONNFLY ELECTRONIC CO. LTD		