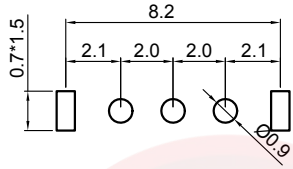
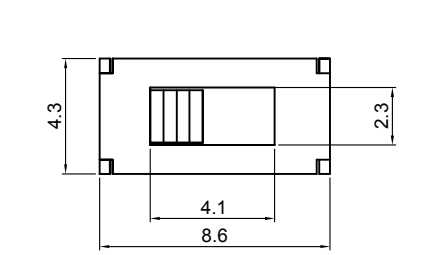


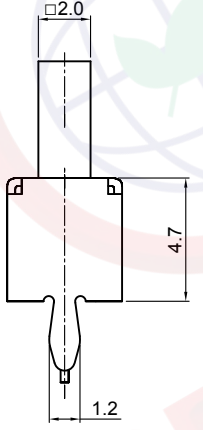
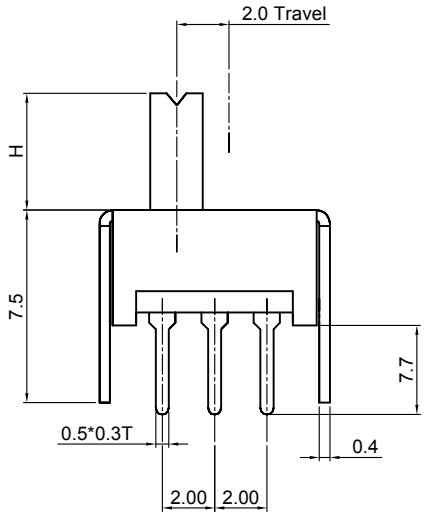
Dept	Qty
DC	1
ED	1
IE	1
ISO	1
PD	1
R&D	1
SD	1
QA	1
QC	1
QE	1

The information provided herein is from CONNELY Electronic Co., Ltd. and is confidential. Any disclosure to a party other than the recipient is prohibited. The intellectual properties and its rights contained herein, including but not limited to, trademarks, patents, copyrights, trade secrets, and technical know-how, are owned exclusively by CONNELY or its affiliates. Unauthorized use or reproduction of any part of this document is strictly prohibited. CONNELY reserves all rights in this document and its use in any format or manner. CONNELY may enforce its intellectual property rights at its own discretion, failures or delays to exercise such rights does not constitute a waiver of such rights.

REV.	DESCRIPTION	DRAWN	CHECKED	APPROVED
A	NEW RELEASE	JLZ 08/07/19'		



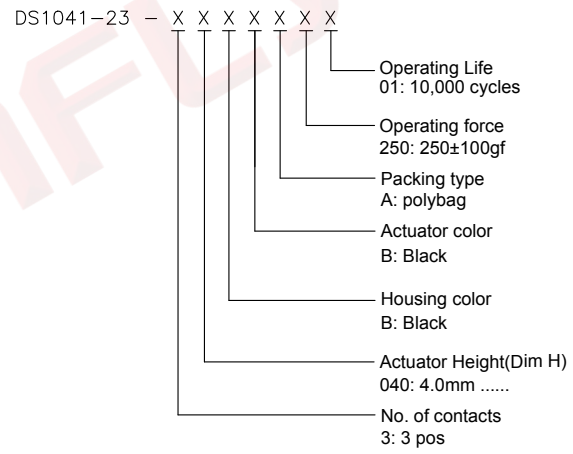
Recommend PCB layout
(Tolerance:±0.05)



(Series Image-Reference Only)

NOTES:

- Mechanical
 - Stroke: 2.00mm
 - Temperature Range: -16°C~+60°C
- Materials
 - Frame: CRS NI Plated
 - Knob: POM Black
 - Terminal: BSP Ag Plated
 - Terminal Base: PHENOL RESIN NATURAL
 - Contact: PBS Ag Plated
- Electrical
 - Electrical Life: 10000 cycles.
 - Contact resistance: 50mΩ Max.
 - Insulation Resistance: 100MΩ at 500V DC.
 - Dielectric Withstanding Voltage: 500VAC per 1 minute
 - Rating: DC 50V 0.3A
- Product number code:



GENERAL TOLERANCE		ANGLE TOLERANCE	
X.	±0.60	X.	±5°
.X	±0.38	.X	±3°
.XX	±0.25	.XX	±2°
DRAWING TYPE		CUSTOMER	
SCALE		1:1	SHEET 1 OF 1
DRAWING NO.		C-DS1041-23-XXXXXX-A	

PROJECTION		TITLE	4.3*8.6mm Slide Switch 3 Positions Type
UNITS	mm		
SHEET SIZE	A4	SERIES	DS1041-23 SERIES

晨翔电子有限公司
CONNFLY CONNELY ELECTRONIC CO. LTD