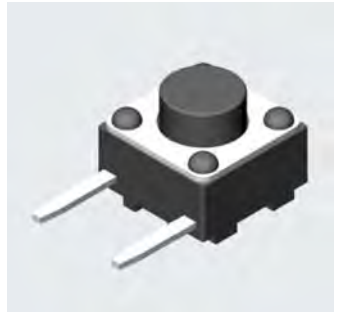
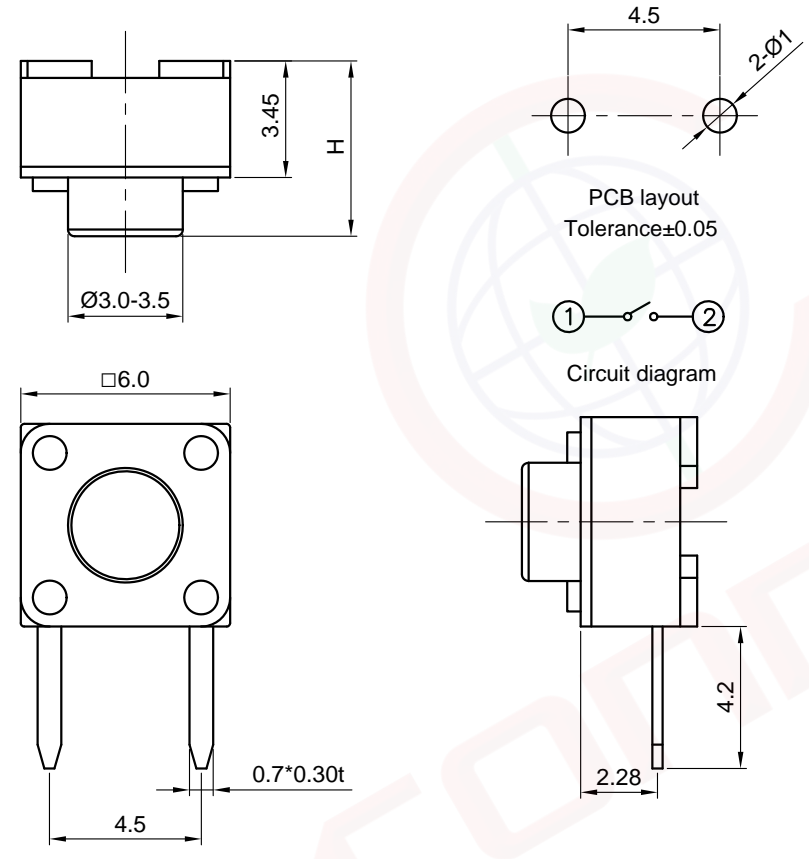


Dept	
Qty	
DC	1
ED	1
IE	1
ISO	1
PD	1
R&D	1
SD	1
QA	1
QC	1
QE	1

The information provided herein is from CONNELY Electronic Co., Ltd. and is confidential. Any disclosure to a party other than the recipient is prohibited. The intellectual properties and its rights contained herein, including but not limited to, trademarks, patents, copyrights, trade secrets, and technical know-how, are owned exclusively by CONNELY or its affiliates. Unauthorized use or modification is strictly prohibited. CONNELY may enforce its intellectual property rights at its own discretion, failure or delays to exercise such rights does not constitute a waiver of such rights.



(Series Image-Reference Only)

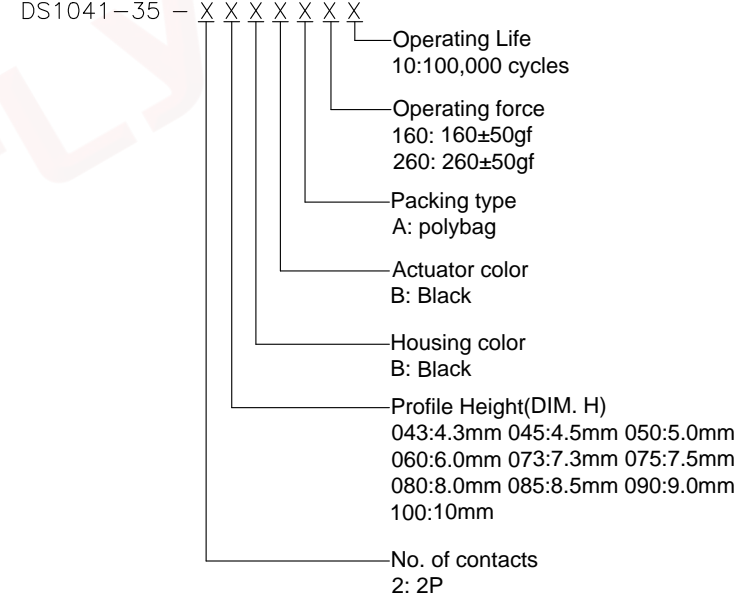
REV.	DESCRIPTION	DRAWN	CHECKED	APPROVED
A	NEW RELEASE	JLZ 05/13/22'		

NOTES:

1. Specifications

- . Switch Function: Single Pole Single Throw
- . Contact Rating: 50mA at 12Vdc
- . Insulation Resistance:100MΩ min.
- . Contact Resistance:100mΩ max.
- . Operating Life:100,000 cycles
- . Travel:0.25±0.1mm
- . Operation Temperature Range: -25°C to +70°C
- . Wave Soldering: Recommended Solder Temperature At 500°F(260°C)max. 5 Seconds,Subject To PCB 1.6mm Thickness.

2. Product number code:



GENERAL TOLERANCE	ANGLE TOLERANCE	PROJECTION		TITLE	6.0*6.0mm Tact Switch R/A Type		
X. ±0.60	X. ±5°	UNITS	mm	SERIES	DS1041-35 SERIES		
.X ±0.38	.X ±3°	SHEET SIZE	A4				
.XX ±0.25	.XX ±2°						
DRAWING TYPE	CUSTOMER		晨翔电子有限公司 CONNELY ELECTRONIC CO., LTD				
SCALE	1:1	SHEET					1 OF 1
DRAWING NO.	C-DS1041-35-XXXXXX-A						