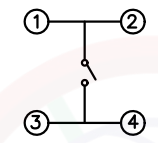
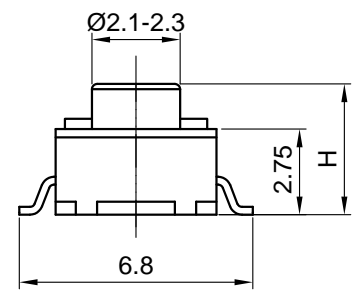
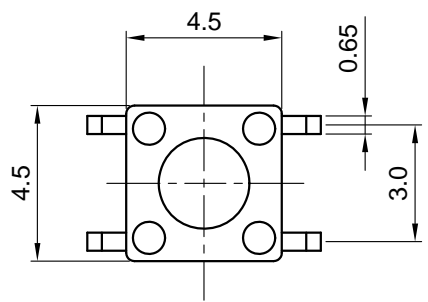
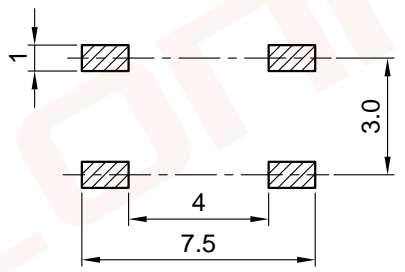
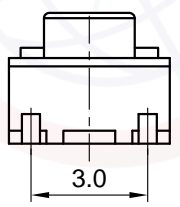


Dept	Qty
DC	1
ED	1
IE	1
ISO	1
PD	1
R&D	1
SD	1
QA	1
QC	1
QE	1

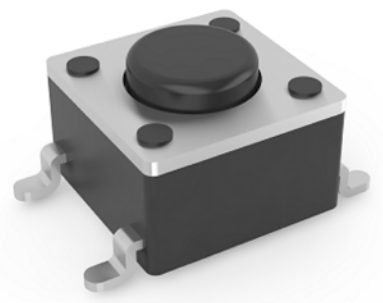
The information provided herein is from CONNELY Electronic Co., Ltd. and is confidential. Any disclosure to a party other than the recipient is prohibited. The intellectual properties and its rights contained herein, including but not limited to, trademarks, patents, copyrights, trade secrets, and technical know-how, are owned exclusively by CONNELY or its affiliates. Unauthorized use or modification is strictly prohibited. CONNELY may enforce its intellectual property rights at its own discretion, failure or delays to exercise such rights does not constitute a waiver of such rights.



Circuit diagram



PCB layout
Tolerance±0.05



(Series Image-Reference Only)

REV.	DESCRIPTION	DRAWN	CHECKED	APPROVED
A	NEW RELEASE	JLZ 07/21/20'		
B	DRAWING UPDATE	JLZ 04/15/22'		

NOTES:

1. Specifications

- Switch Function: Single Pole Single Throw
- Contact Rating: 50mA at 12Vdc
- Insulation Resistance:100MΩ min.
- Contact Resistance:100mΩ max.
- Operating Life:100,000 cycles
- Travel:0.15±0.1mm
- Operation Temperature Range: -25°C to +70°C
- Wave Soldering: Recommended Solder Temperature At 500°F(260°C)max. 5 Seconds,Subject To PCB 1.6mm Thickness.

2. Product number code:

DS1042-32 - X X X X X X X

- Operating Life
05:50,000 cycles
10:100,000 cycles
- Operating force
160: 160±50gf
260: 260±50gf
- Packing type
A: polybag
R: tape & reel
- Actuator color
B: Black N:Brown
- Housing color
B: Black N:Brown
- Profile Height(DIM. H)
038:3.8mm 040:4.0mm 043:4.3mm
045:4.5mm 050:5.0mm 060:6.0mm
070:7.0mm 080:8.0mm.....
- No. of contacts
4: 4P

GENERAL TOLERANCE		ANGLE TOLERANCE	
X.	±0.60	X.	±5°
.X	±0.38	.X	±3°
.XX	±0.25	.XX	±2°
DRAWING TYPE	CUSTOMER		
SCALE	1:1	SHEET	1 OF 1
DRAWING NO.	C-DS1042-32-XXXXXXX-B		

PROJECTION		TITLE	Tact Switch SMT Type 4.5mmX4.5mm	
UNITS	mm	SERIES	DS1042-32 SERIES	
SHEET SIZE	A4			

晨翔电子有限公司
CONNELY CONNELY ELECTRONIC CO., LTD