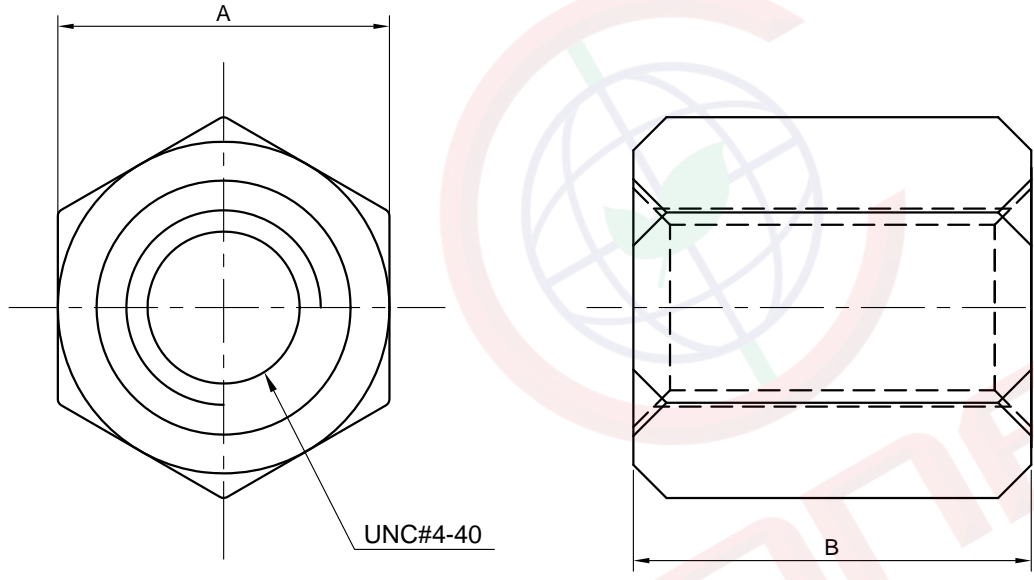


Dept	Qty
DC	1
ED	1
IE	1
ISO	1
PD	1
R&D	1
SD	1
QA	1
QC	1
QE	1

REV.	DESCRIPTION	DRAWN	CHECKED	APPROVED
A	NEW RELEASE	LJH 04/12/06'		LJC 04/12/06'
B	DRAWING UPDATE	JLZ 09/15/18'		

The information provided herein is from CONNPLY Electronic Co., Ltd. and is confidential. Any disclosure to a party other than the recipient is prohibited. The intellectual properties and its rights contained herein, including but not limited to, trademarks, patents, copyrights, trade secrets, and technical know-how, are owned exclusively by CONNPLY or its affiliates. Unauthorized use or reproduction of any part of this document is strictly prohibited. CONNPLY reserves the right to make changes to this drawing without notice and to exercise such rights as it deems necessary in its use in any format or manner. CONNPLY may enforce its intellectual property rights at its own discretion, failures or delays to exercise such rights does not constitute a waiver of such rights.

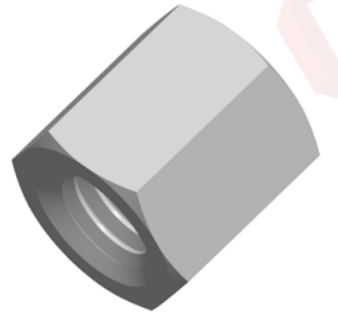


NOTES:

1. Plating: Nickel
2. Product Number Code

DS1045-02 - X X


Dim. A type:
0470: 4.70mm
0500: 5.00mm
Dim. B type:
0600: 6.00mm



(Series Image-Reference Only)

GENERAL TOLERANCE		ANGLE TOLERANCE	
X.	±0.60	X.	±5°
.X	±0.38	.X	±3°
.XX	±0.25	.XX	±2°
DRAWING TYPE		CUSTOMER	
SCALE		1:1	SHEET 1 OF 1
DRAWING NO.		C-DS1045-02-XX-B	

PROJECTION		TITLE	
UNITS	mm	NUT	
SHEET SIZE	A4	SERIES	DS1045-02 SERIES

 **晨翔电子有限公司**
CONNPLY CONNPLY ELECTRONIC CO. LTD