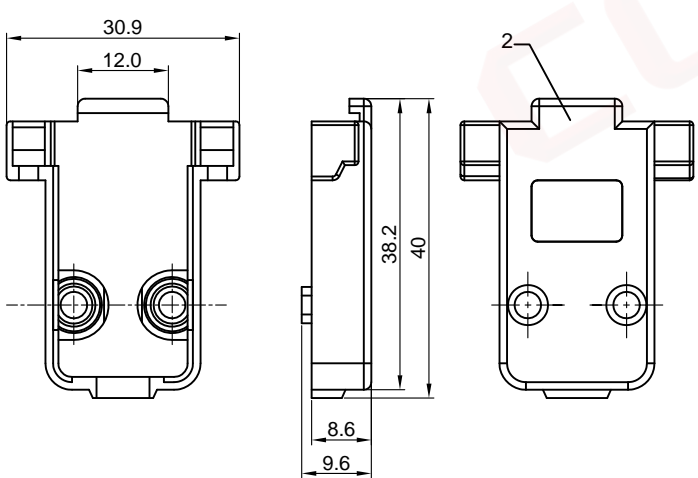
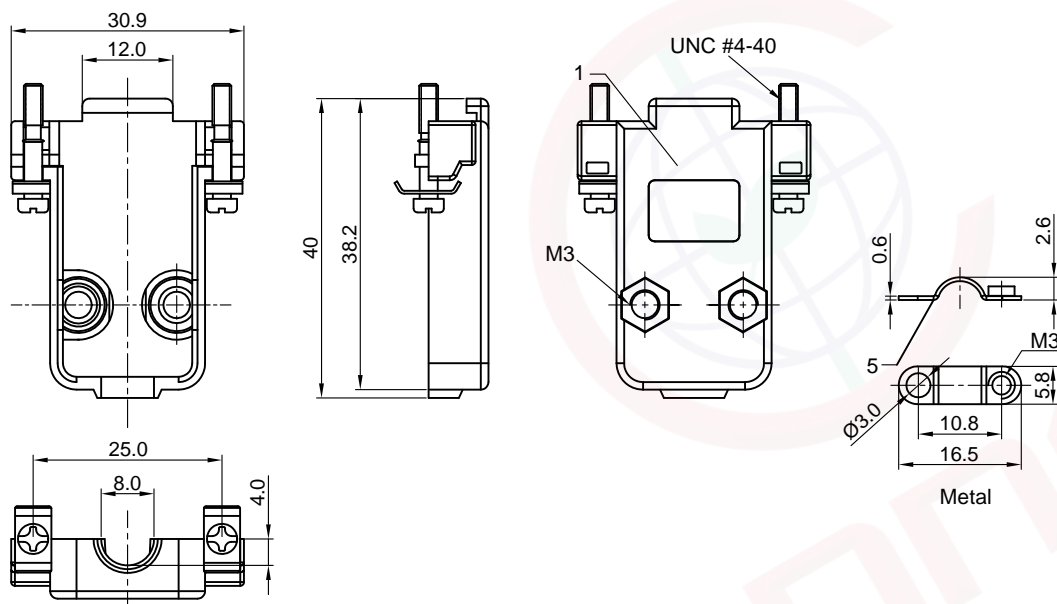
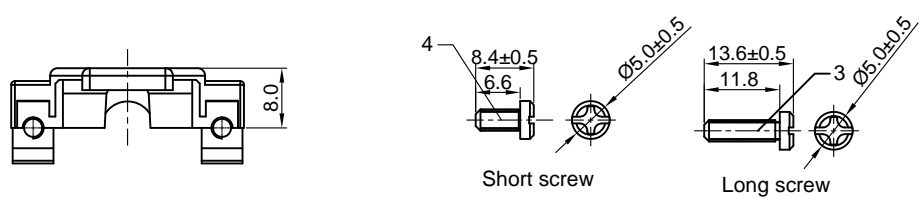


The information provided herein is from CONNELY Electronic Co., Ltd. and is confidential. Any disclosure to a party other than the recipient is prohibited. The intellectual properties and its rights contained herein, including but not limited to, trademarks, patents, copyrights, trade secrets, and technical know-how, are owned exclusively by CONNELY or its affiliates. Unauthorized use or reproduction of any part of this document is strictly prohibited. CONNELY may enforce its intellectual property rights at its own discretion, failures or delays to exercise such rights does not constitute a waiver of such rights.

REV.	DESCRIPTION	DRAWN	CHECKED	APPROVED
A	NEW RELEASE	JLZ 04/09/22'		



(Series Image-Reference Only)

NOTES:
 1. Hardwares are all Nickel plated.
 2. Part number code:
 DS1045-25 - 09 X X X X X

- Washer type
1: Metal
- Bolt type
S: Short
- Packing type
1: Mix packing
- Cover Material
P: Plastic
- Cover Color
B: Black
- Position
09: 9pin

BOM List			
Item	Part name	Q'ty	NOTES
1	Plastic Hood 1	1	W/ (Nut/Screw/Washer)
2	Plastic Hood 2	1	W/O (Nut/Screw/Washer)
3	Long Screw	2	M3
4	Short Screw	2	M3
5	Metal	2	M3

GENERAL TOLERANCE		ANGLE TOLERANCE		PROJECTION		TITLE
X.	±0.60	X.	±5°	UNITS	mm	D-SUB Plastic Hood Easy Type
.X	±0.38	.X	±3°	SHEET SIZE	A4	SERIES DS1045-25 SERIES
.XX	±0.25	.XX	±2°			
DRAWING TYPE		CUSTOMER		晨翔电子有限公司 CONNELY ELECTRONIC CO., LTD		
SCALE		1:1				
DRAWING NO.		C-DS1045-25-XXXXXX-A				