

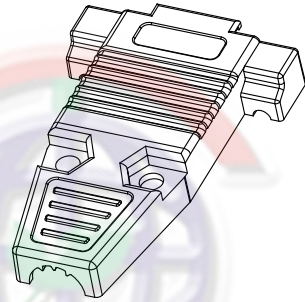
The information provided herein is from CONNELY Electronic Co., Ltd. and is confidential. Any disclosure to a party other than the recipient is prohibited. The intellectual properties and its rights contained herein, including but not limited to, trademarks, patents, copyrights, trade secrets, and technical know-how, are owned exclusively by CONNELY or its affiliates. Unauthorized use of this information in any format or manner. CONNELY may enforce its intellectual property rights at its own discretion; failures or delays to exercise such rights does not constitute a waiver of such rights.

1                      2                      3                      4                      5                      6                      7                      8

A Dept  
 Qty  
 DC 1  
 ED 1  
 IE 1  
 ISO 1  
 PD 1  
 R&D 1  
 SD 1  
 QA 1  
 QC 1  
 QE 1  
 B  
 C  
 D  
 E  
 F  
 G  
 H

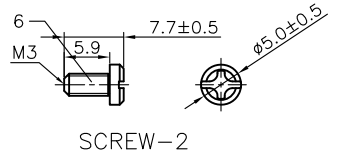
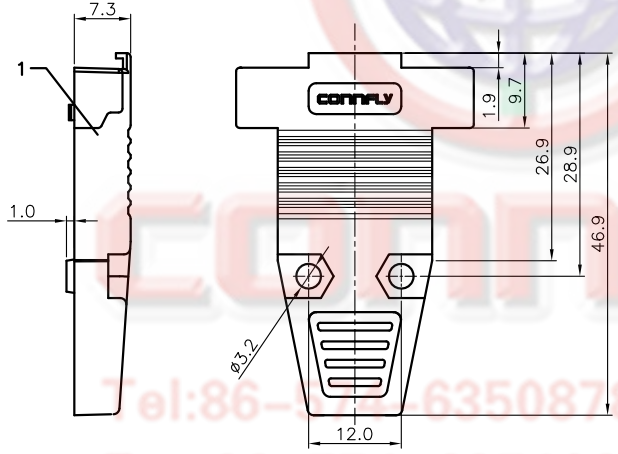
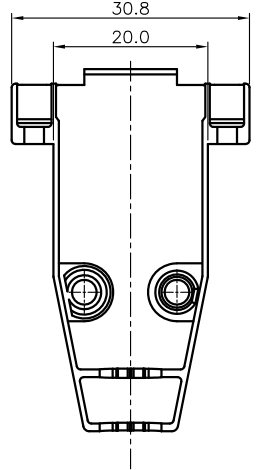
REV.	DESCRIPTION	DRAWN	CHECKED	APPROVED
A	NEW RELEASE	LJC 03/02/07'		LJC 03/02/07'
B	ADD P/N CODE	YCH 12/07/13'		LJC 12/07/13'
C	DRAWING UPDATE	JLZ 11/24/18'		

BOM LIST			
ITEM	PART NAME	Q'ty	NOTES
1	METAL HOOD	2	
2	LONG BOLT	2	
3	NUT	2	
4	SCREW-1	2	M3*12
5	WASHER	2	
6	SCREW-2	2	M3*6
7	SHORT BOLT	2	

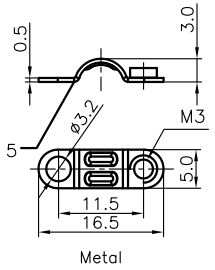


NOTES:  
 1. PART NUMBER CODE:  
 DS1047 - 09 X X X - X - X

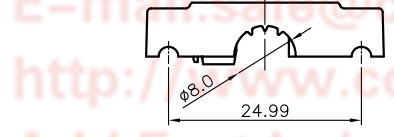
- LOGO Support
- X: W/O LOGO
- N/A Code: CONNELY LOGO
- Shell Plating
- N: Nickel
- Z: Zinc
- Bolt type
- L: Long
- S: Short
- Packing type
- 1: Mix packing
- 2: Separation packing
- Cover Material
- M: Metal(Zinc alloy)
- Positions
- 09: 9pin



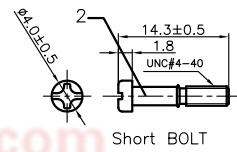
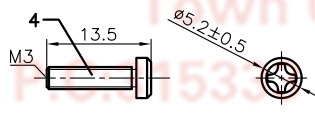
SCREW-2



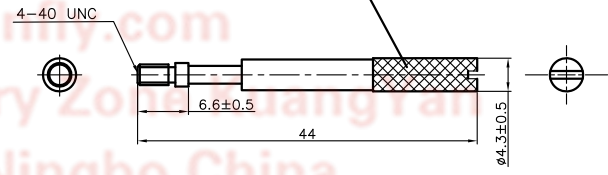
Metal



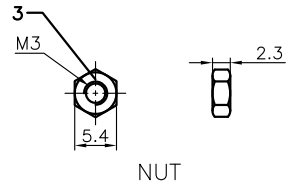
SCREW-1



Short BOLT



Long BOLT



NUT

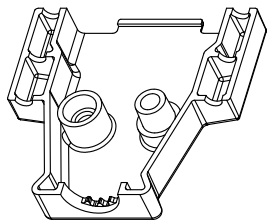
GENERAL TOLERANCE		ANGLE TOLERANCE		PROJECTION		TITLE	D-SUB 9pin Metal Hood
X.	±0.60	X.	±5°	UNITS	mm	SHEET SIZE	A4
.X	±0.38	.X	±3°	SERIES DS1047 SERIES			
.XX	±0.25	.XX	±2°	DRAWING NO. C-DS1047-09XXX-X-X-C			
DRAWING TYPE		CUSTOMER		<b>晨翔电子有限公司</b> <b>CONNELY CONNELY ELECTRONIC CO. LTD</b>			
SCALE		1:1					
DRAWING NO.		C-DS1047-09XXX-X-X-C					

1                      2                      3                      4                      5                      6                      7                      8

The information provided herein is from CONNELY Electronic Co., Ltd. and is confidential. Any disclosure to a party other than the recipient is prohibited. The intellectual properties and its rights contained herein, including but not limited to, trademarks, patents, copyrights, trade secrets, and technical know-how, are owned exclusively by CONNELY or its affiliates. Unauthorized use of this information in any format or manner. CONNELY may enforce its intellectual property rights at its own discretion; failures or delays to exercise such rights does not constitute a waiver of such rights.

1 2 3 4 5 6 7 8

REV.	DESCRIPTION	DRAWN	CHECKED	APPROVED
A	NEW RELEASE	LJC 03/02/07'		LJC 03/02/07'
B	ADD P/N CODE	YCH 12/07/13'		LJC 12/07/13'
C	DRAWING UPDATE	JLZ 11/24/18'		



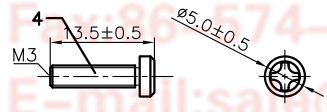
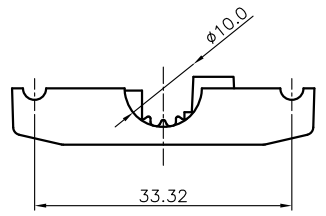
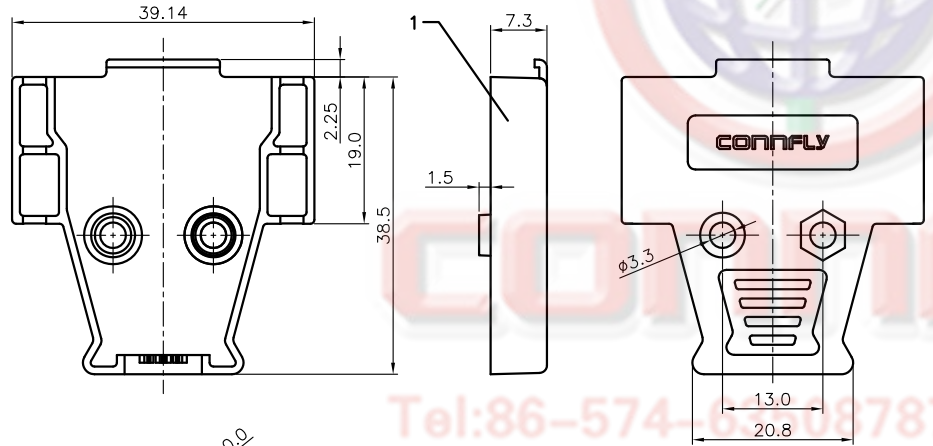
BOM LIST			
ITEM	PART NAME	Q'ty	NOTES
1	METAL HOOD	2	
2	BOLT	2	
3	NUT	2	
4	SCREW-1	2	M3*12
5	WASHER	2	
6	SCREW-2	2	M3*6
7	SR	1	

NOTES:

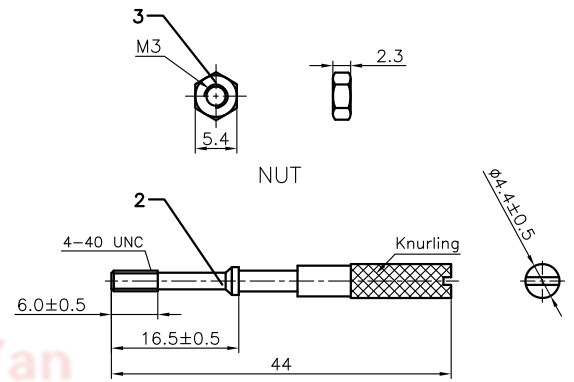
1. PART NUMBER CODE:

DS1047 - 15 X X X - X - X

- LOGO Support
- X: W/O LOGO
- N/A: CONNELY LOGO
- Shell Plating
- N: Nickel
- Z: Zinc
- Bolt type
- L: Long
- Packing type
- 1: Mix packing
- 2: Separation packing
- Cover Material
- M: Metal(Zinc alloy)
- Positions
- 15: 15pin

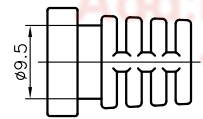
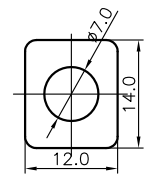


SCREW-1

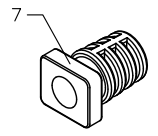


NUT

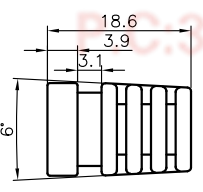
BOLT



SCREW-2



SR



GENERAL TOLERANCE		ANGLE TOLERANCE	
X.	$\pm 0.60$	X.	$\pm 5^\circ$
.X	$\pm 0.38$	.X	$\pm 3^\circ$
.XX	$\pm 0.25$	.XX	$\pm 2^\circ$

DRAWING TYPE	CUSTOMER
SCALE	1:1
DRAWING NO.	C-DS1047-15XXX-X-X-C

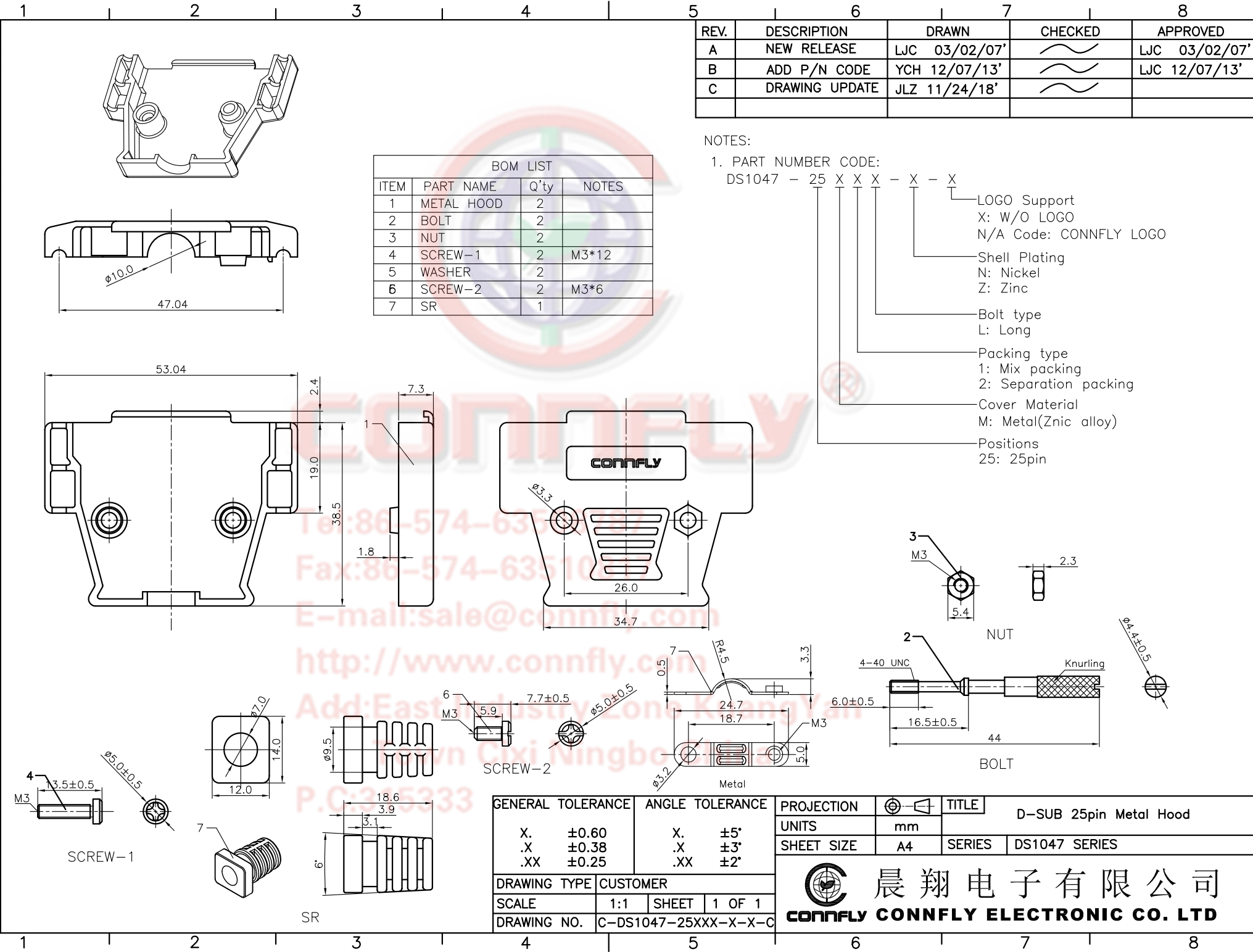
PROJECTION	TITLE
UNITS	D-SUB 15pin Metal Hood
SHEET SIZE	SERIES DS1047 SERIES

**晨翔电子有限公司**  
**CONNELY CONNELY ELECTRONIC CO. LTD**

1 2 3 4 5 6 7 8

Dept  
Qty  
DC 1  
ED 1  
IE 1  
ISO 1  
PD 1  
R&D 1  
SD 1  
QA 1  
QC 1  
QE 1

The information provided herein is from CONNELY Electronic Co., Ltd. and is confidential. Any disclosure to a party other than the recipient is prohibited. The intellectual properties and its rights contained herein, including but not limited to, trademarks, patents, copyrights, trade secrets, and technical know-how, are owned exclusively by CONNELY or its affiliates. Unauthorized use or reproduction of this information in any format or manner. CONNELY may enforce its intellectual property rights at its own discretion; failures or delays to exercise such rights does not constitute a waiver of such rights.



REV.	DESCRIPTION	DRAWN	CHECKED	APPROVED
A	NEW RELEASE	LJC 03/02/07'		LJC 03/02/07'
B	ADD P/N CODE	YCH 12/07/13'		LJC 12/07/13'
C	DRAWING UPDATE	JLZ 11/24/18'		

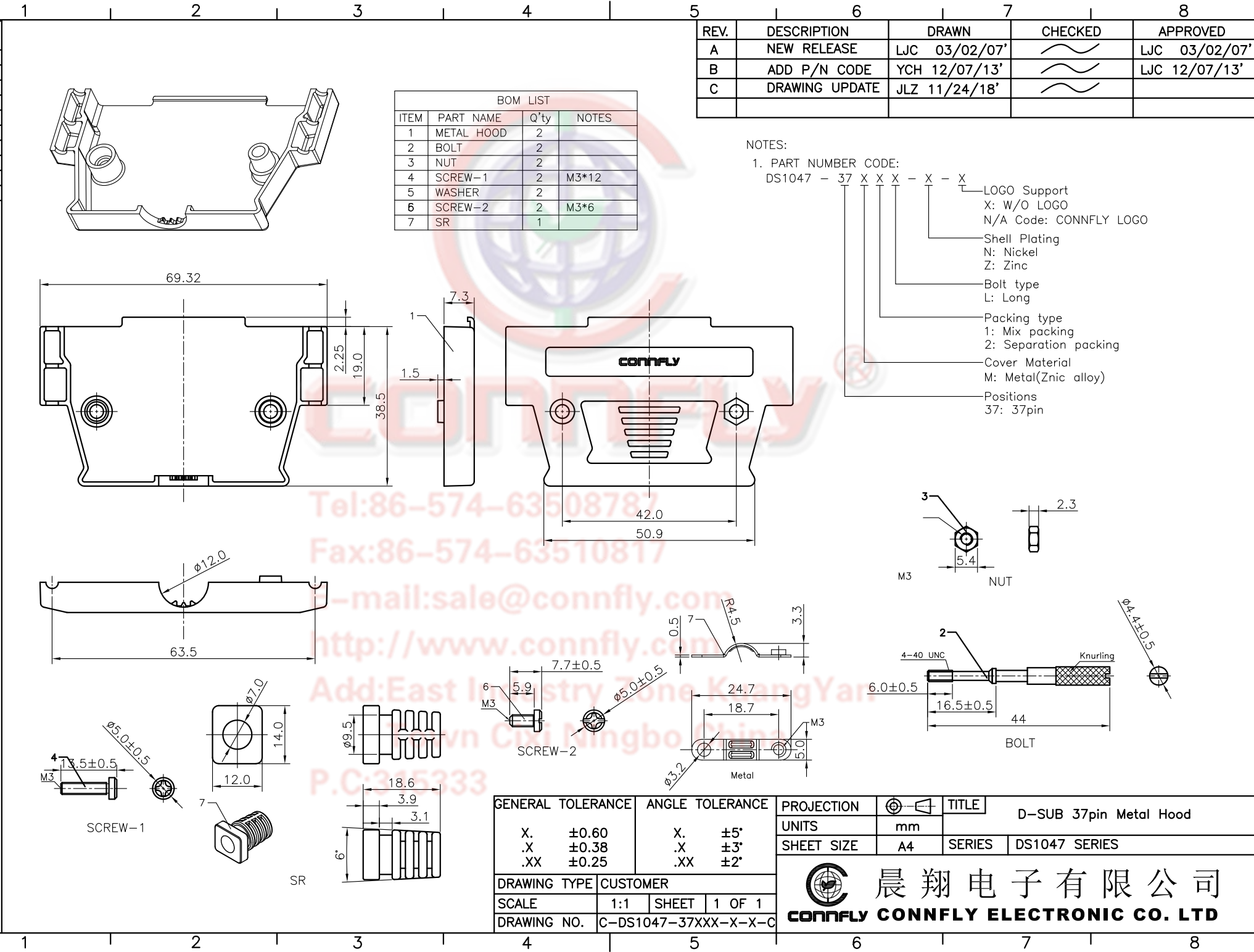
BOM LIST			
ITEM	PART NAME	Q'ty	NOTES
1	METAL HOOD	2	
2	BOLT	2	
3	NUT	2	
4	SCREW-1	2	M3*12
5	WASHER	2	
6	SCREW-2	2	M3*6
7	SR	1	

NOTES:  
1. PART NUMBER CODE:  
DS1047 - 25 X X X - X - X

- LOGO Support
- X: W/O LOGO
- N/A Code: CONNFLY LOGO
- Shell Plating
- N: Nickel
- Z: Zinc
- Bolt type
- L: Long
- Packing type
- 1: Mix packing
- 2: Separation packing
- Cover Material
- M: Metal(Znic alloy)
- Positions
- 25: 25pin

GENERAL TOLERANCE		ANGLE TOLERANCE		PROJECTION		TITLE	D-SUB 25pin Metal Hood
X.	±0.60	X.	±5°	UNITS	mm	SHEET SIZE	A4
.X	±0.38	.X	±3°	SHEET SIZE	A4	SERIES	DS1047 SERIES
.XX	±0.25	.XX	±2°	晨翔电子有限公司 <b>CONNELY CONNELY ELECTRONIC CO. LTD</b>			
DRAWING TYPE		CUSTOMER					
SCALE	1:1	SHEET	1 OF 1				
DRAWING NO.		C-DS1047-25XXX-X-X-C					

The information provided herein is from CONNELY Electronic Co., Ltd. and is confidential. Any disclosure to a party other than the recipient is prohibited. The intellectual properties and its rights contained herein, including but not limited to, trademarks, patents, copyrights, trade secrets, and technical know-how, are owned exclusively by CONNELY or its affiliates. Unauthorized use of this information in any format or manner, CONNELY may enforce its intellectual property rights at its own discretion; failures or delays to exercise such rights does not constitute a waiver of such rights.



REV.	DESCRIPTION	DRAWN	CHECKED	APPROVED
A	NEW RELEASE	LJC 03/02/07'		LJC 03/02/07'
B	ADD P/N CODE	YCH 12/07/13'		LJC 12/07/13'
C	DRAWING UPDATE	JLZ 11/24/18'		

BOM LIST			
ITEM	PART NAME	Q'ty	NOTES
1	METAL HOOD	2	
2	BOLT	2	
3	NUT	2	
4	SCREW-1	2	M3*12
5	WASHER	2	
6	SCREW-2	2	M3*6
7	SR	1	

NOTES:  
 1. PART NUMBER CODE:  
 DS1047 - 37 X X X - X - X  
 LOGO Support  
 X: W/O LOGO  
 N/A Code: CONNFLY LOGO  
 Shell Plating  
 N: Nickel  
 Z: Zinc  
 Bolt type  
 L: Long  
 Packing type  
 1: Mix packing  
 2: Separation packing  
 Cover Material  
 M: Metal(Znic alloy)  
 Positions  
 37: 37pin

GENERAL TOLERANCE		ANGLE TOLERANCE		PROJECTION	TITLE
X.	±0.60	X.	±5°		D-SUB 37pin Metal Hood
.X	±0.38	.X	±3°	mm	
.XX	±0.25	.XX	±2°	A4	SERIES DS1047 SERIES
DRAWING TYPE		CUSTOMER		晨翔电子有限公司 <b>CONNFLY CONNFLY ELECTRONIC CO. LTD</b>	
SCALE		1:1 SHEET 1 OF 1			
DRAWING NO.		C-DS1047-37XXX-X-X-C			