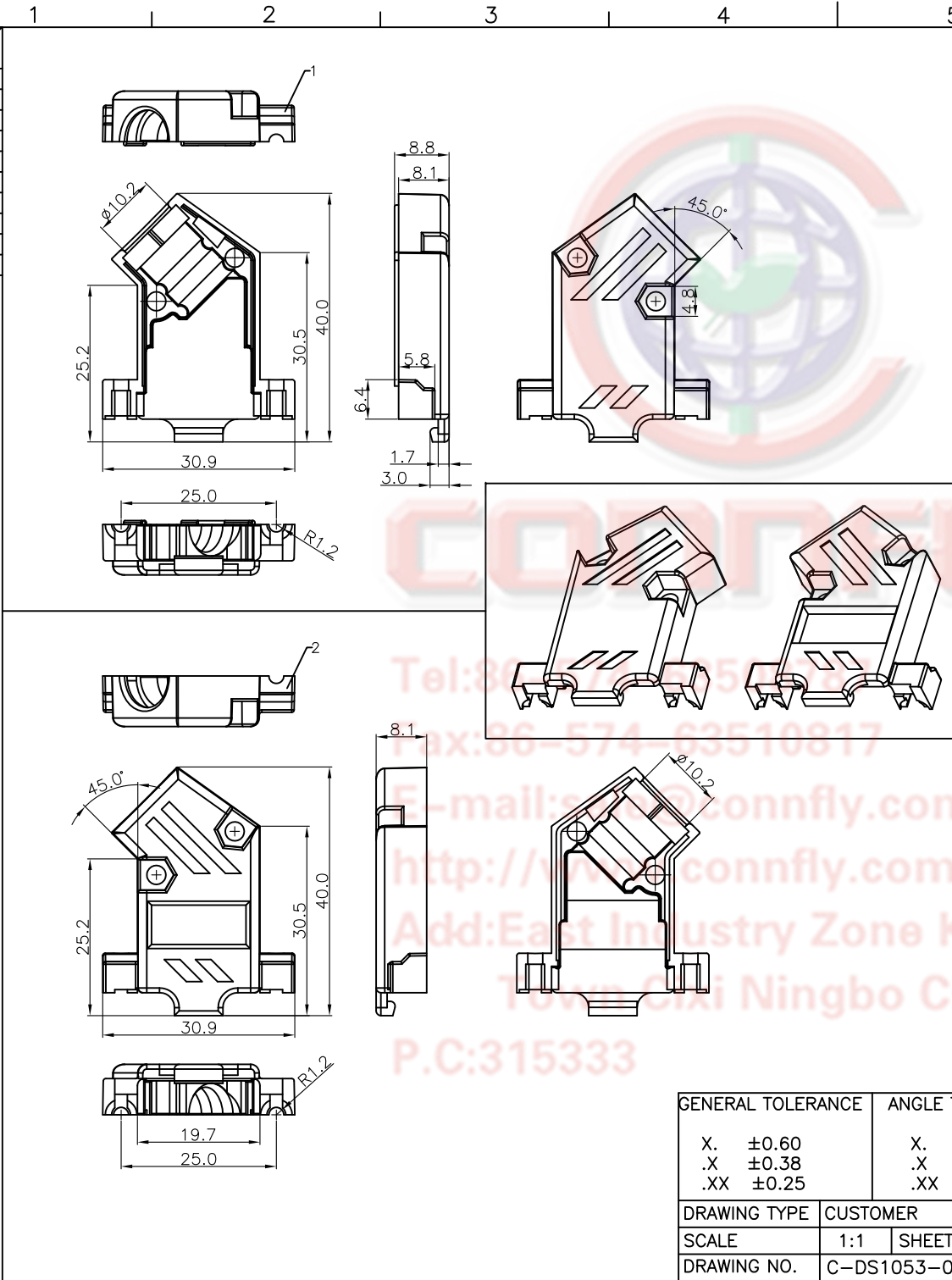


Dept
Qty
DC 1
ED 1
IE 1
ISO 1
PD 1
R&D 1
SD 1
QA 1
QC 1
QE 1

The information provided herein is from CONNFLY Electronic Co., Ltd. and is confidential. Any disclosure to a party other than the recipient is prohibited. The intellectual properties and its rights contained herein, including but not limited to, trademarks, patents, copyrights, trade secrets, and technical know-how, are owned exclusively by CONNFLY or its affiliates. Unauthorized use or modification is strictly prohibited. CONNFLY may enforce its intellectual property rights at its own discretion; failures or delays to exercise such rights does not constitute a waiver of such rights.



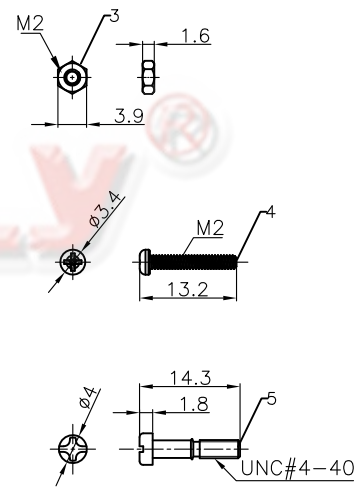
REV.	DESCRIPTION	DRAWN	CHECKED	APPROVED
A	NEW RELEASE	YCH 06/18/12'		LJC 06/18/12'
B	DRAWING UPDATE	JLZ 10/05/18'		

NOTES:

1. Hardwares are all Nickel plated.
2. PART NUMBER CODE:

DS1053 - XX X X X

- Packing type
- 1: Mix packing
- 2: Separation packing
- Cover Material
- P: Plastic(ABS)
- Cover Material
- N: Nickel plating
- Position
- 09: 9pin



BOM LIST			
ITEM	PART NAME	Q'ty	NOTES
1	PLASTIC HOOD-1	1	ABS
2	PLASTIC HOOD-2	1	ABS
3	NUT	2	M2
4	M2 SCREW	2	M2
5	SHORT BOLT	2	UNC #4-40

GENERAL TOLERANCE		ANGLE TOLERANCE	
X.	±0.60	X.	±5°
.X	±0.38	.X	±3°
.XX	±0.25	.XX	±2°

DRAWING TYPE	CUSTOMER		
SCALE	1:1	SHEET	1 OF 1
DRAWING NO.	C-DS1053-09XXX-B		

PROJECTION	TITLE	D-SUB 9pin Hood 45° OUT CABLE NICKEL PLATING TYPE	
	mm	SHEET	A4
SHEET SIZE	A4	SERIES	DS1053 SERIES

晨翔电子有限公司
CONNFLY CONNFLY ELECTRONIC CO. LTD