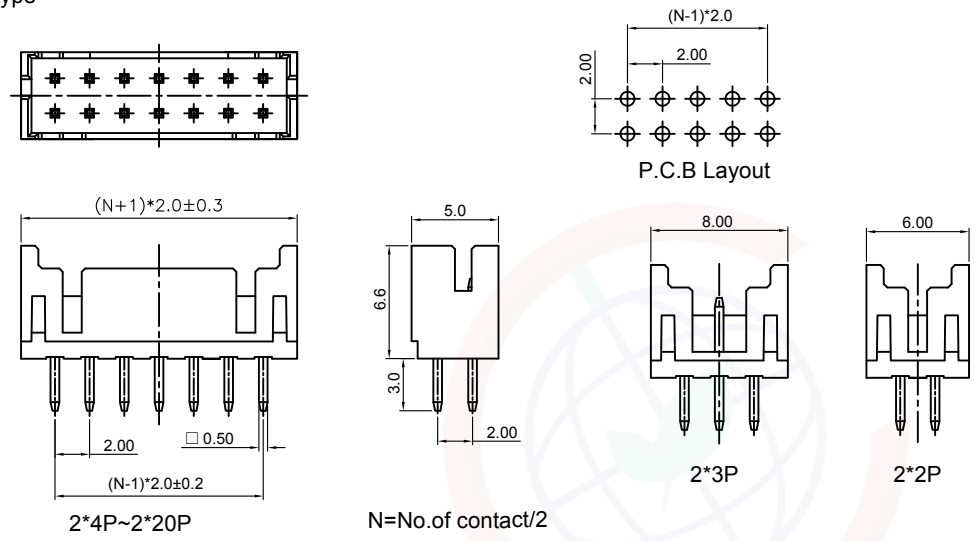


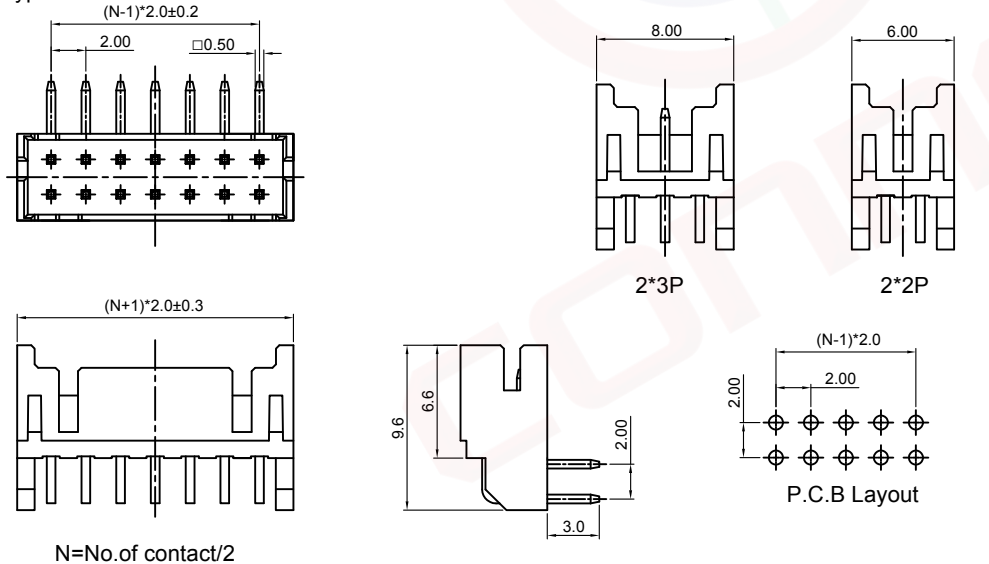
The information provided herein is from CONNELY Electronic Co., Ltd. and is confidential. Any disclosure to a party other than the recipient is prohibited. The intellectual properties and its rights contained herein, including but not limited to, trademarks, patents, copyrights, trade secrets, and technical know-how, are owned exclusively by CONNELY or its affiliates. Unauthorized use or reproduction of any part of this document is strictly prohibited. CONNELY may enforce its intellectual property rights at its own discretion, failures or delays to exercise such rights does not constitute a waiver of such rights.

REV.	DESCRIPTION	DRAWN	CHECKED	APPROVED
A	NEW RELEASE	YCH 06/14/14'		LJC 06/14/14'
B	DRAWING UPDATE	JLZ 03/04/18'		

Male V/T type



Male R/A type

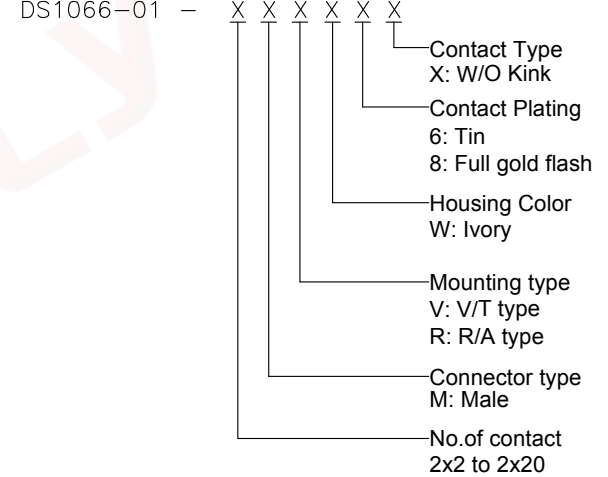


(Series Image-Reference Only)

NOTES:

- Main specifications
 - Housing material: NYLON 66
 - Rated voltage: 250V
 - Rated current: 2A AC/DC
 - Contact resistance: 30mΩ Max
 - Insulation resistance: 1000MΩ Min
 - Withstanding voltage: 500V, AC 1 minute
 - Temperature range: -25 ~ +85°C
 - Recommend PC board thickness: 1.6mm

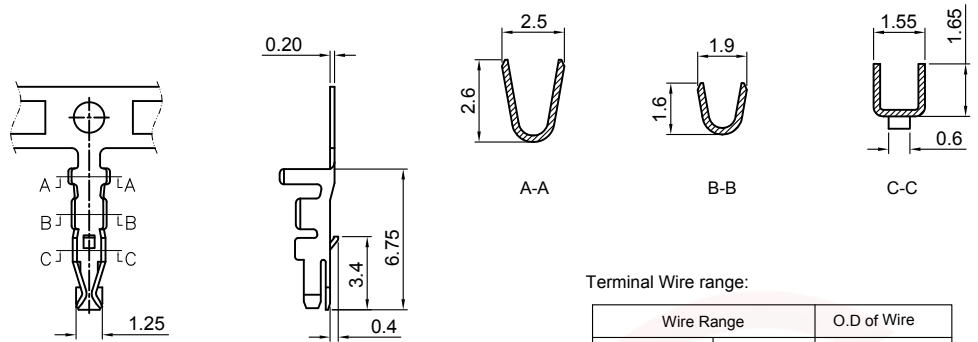
2. Product number code:



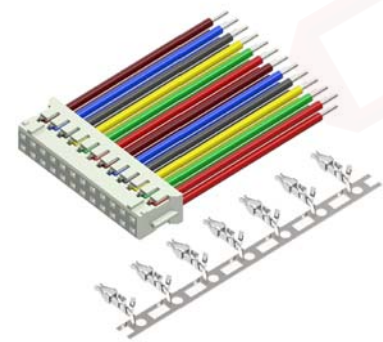
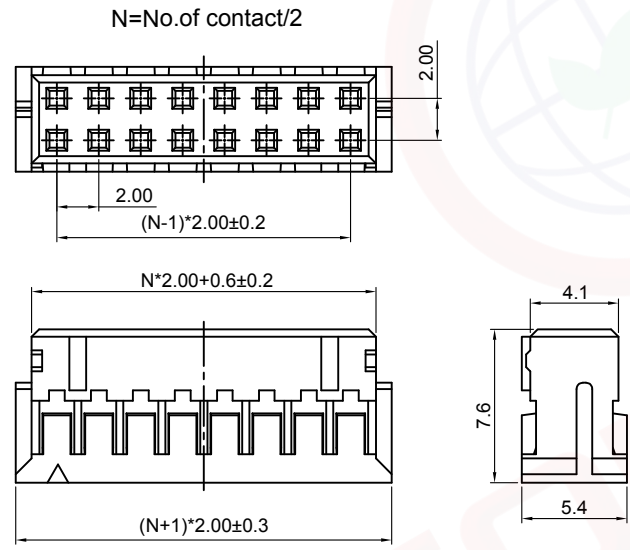
GENERAL TOLERANCE		ANGLE TOLERANCE		PROJECTION		TITLE	P.C.B CONNECTOR 2.0mm PHD TYPE	
X.	±0.60	X.	±5°	UNITS	mm			
.X	±0.38	.X	±3°	SHEET SIZE	A4	SERIES	DS1066-01 SERIES	
.XX	±0.25	.XX	±2°					
DRAWING TYPE		CUSTOMER			晨翔电子有限公司 CONNELY CONNELY ELECTRONIC CO., LTD			
SCALE		1:1	SHEET	1 OF 2				
DRAWING NO.		C-DS1066-01-XXXXX-B						

Dept	Qty
DC	1
ED	1
IE	1
ISO	1
PD	1
R&D	1
SD	1
QA	1
QC	1
QF	1

Female Terminal



Female Housing



(Series Image-Reference Only)

Terminal Wire range:

Wire Range		O.D of Wire
Section Area (mm) ²	AWG	mm
0.08~0.33	#28~#24	1.2~1.9

REV.	DESCRIPTION	DRAWN	CHECKED	APPROVED
A	NEW RELEASE	YCH 06/14/14'		LJC 06/14/14'
B	DRAWING UPDATE	JLZ 03/04/18'		

NOTES:

- Main specifications
 - Housing material: Nylon 66
 - Wire range: AWG#28~#22
 - Rated voltage: 250V
 - Rated current: 2A AC/DC(24AWG)
 - Contact resistance: 30mΩ Max
 - Insulation resistance: 1000MΩ Min
 - Withstanding voltage: 500V,AC 1 minute
 - Temperature range: -25 ~ +85°C

2. Product number code:

I-DS1066-01 - S C X 0 XX
 (Female Housing Only)

X 0 XX — No. of contact
 2x2 to 2x20

X — Housing Color
 W: White

T-DS1066-01 - S C X 0 0
 (Female Terminal Only)

X — Contact Plating
 6: Tin

GENERAL TOLERANCE	ANGLE TOLERANCE	PROJECTION		TITLE	P.C.B CONNECTOR 2.0mm PHD TYPE	
X. ±0.60	X. ±5°	UNITS	mm	SHEET SIZE	A4	SERIES DS1066-01 SERIES
.X ±0.38	.X ±3°	晨翔电子有限公司 CONNFLY CONNFLY ELECTRONIC CO. LTD				
.XX ±0.25	.XX ±2°					
DRAWING TYPE	CUSTOMER					
SCALE	1:1	SHEET	2 OF 2			
DRAWING NO.	C-DS1066-01-XXXXX-B					

The information provided herein is from CONNFLY Electronic Co., Ltd. and is confidential. Any disclosure to a party other than the recipient is prohibited. The intellectual properties and its rights contained herein, including but not limited to, trademarks, patents, copyrights, trade secrets, and technical know-how, are owned exclusively by CONNFLY or its affiliates. Unauthorized use or reproduction of any part of this document without the prior written permission of CONNFLY is strictly prohibited. CONNFLY may enforce its intellectual property rights at its own discretion, failures or delays to exercise such rights does not constitute a waiver of such rights.