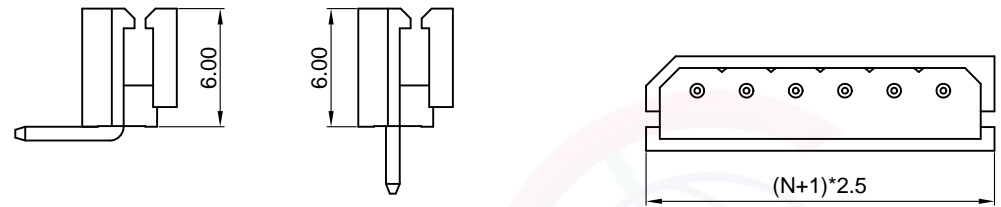


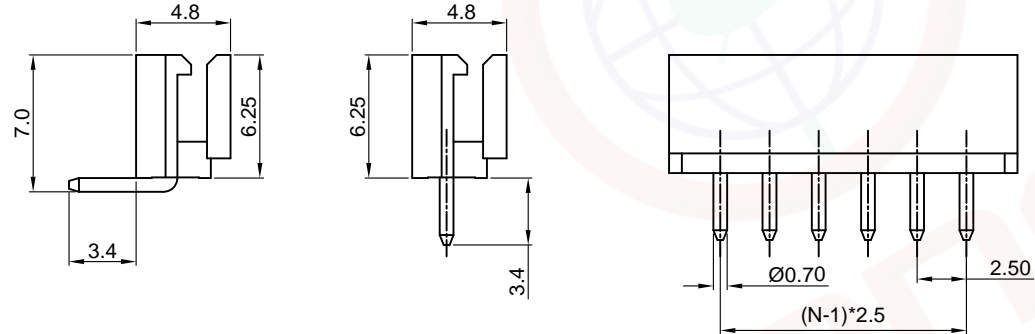
Dept	
Qty	
DC	1
ED	1
IE	1
ISO	1
PD	1
R&D	1
SD	1
QA	1
QC	1
QF	1

REV.	DESCRIPTION	DRAWN	CHECKED	APPROVED
A	NEW RELEASE	LL 07/22/06'		LJC 07/22/06'
D	DRAWING UPDATE	JLZ 10/25/19'		
E	DRAWING UPDATE	JLZ 01/24/22'		

The information provided herein is from CONNELY Electronic Co., Ltd. and is confidential. Any disclosure to a party other than the recipient is prohibited. The intellectual properties and its rights contained herein, including but not limited to, trademarks, patents, copyrights, trade secrets, and technical know-how, are owned exclusively by CONNELY or its affiliates. Unauthorized use or reproduction of any part of this document for any purpose without the prior written permission of CONNELY is strictly prohibited. CONNELY may enforce its intellectual property rights at its own discretion, failures or delays to exercise such rights does not constitute a waiver of such rights.



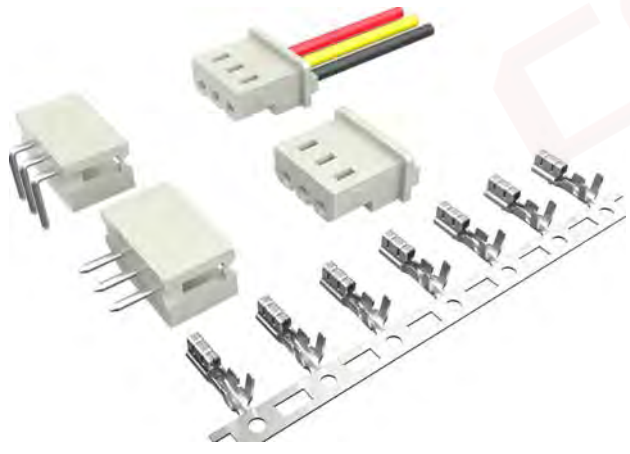
For 2P only



Male R/A type

Male V/T type

Recommend PCB layout  
(Tolerance:±0.05)



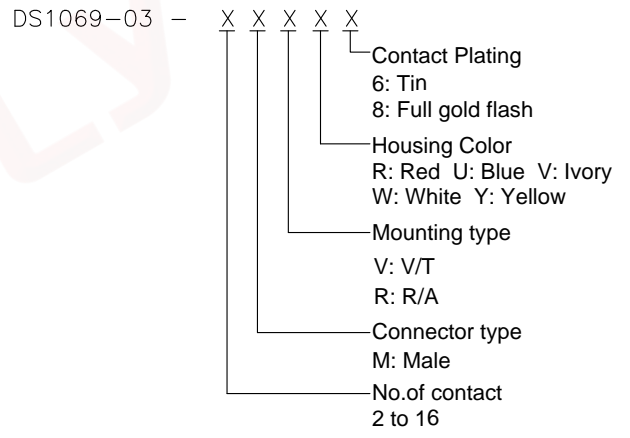
(Series Image-Reference Only)

NOTES:

1. SPECIFICATIONS

- . Housing material: NYLON 66
- . Wire range: AWG#26~#22
- . Rated voltage: 250V
- . Rated current: 3A(22AWG)
- . Contact resistance: 30mΩ Max
- . Insulation resistance:1000MΩ Min
- . Withstanding voltage: 500V,AC 1 minute
- . Temperature range: -25 ~ +85°C
- . Recommend PC board thickness:1.6mm

2. PRODUCT NUMBER CODE:



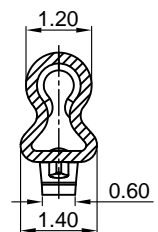
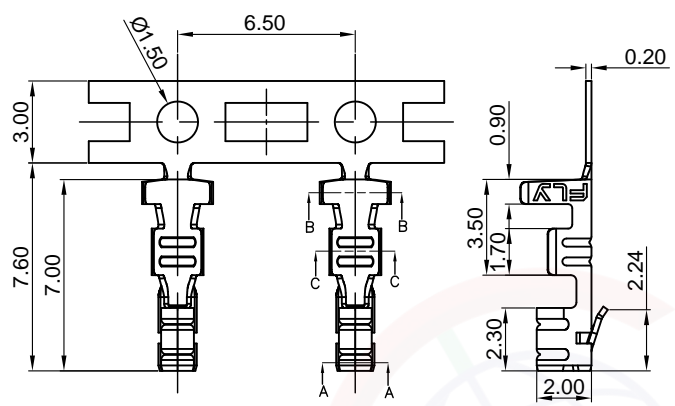
GENERAL TOLERANCE		ANGLE TOLERANCE		PROJECTION		TITLE
X.	±0.60	X.	±5°	UNITS	mm	2.50mm Wafer Type
.X	±0.38	.X	±3°	SHEET SIZE	A4	SERIES DS1069-03 SERIES
.XX	±0.25	.XX	±2°			
DRAWING TYPE		CUSTOMER				
SCALE		1:1	SHEET	1 OF 2		
DRAWING NO.		C-DS1069-03-XXXXX-E				

晨翔电子有限公司  
CONNFLY CONNELY ELECTRONIC CO., LTD

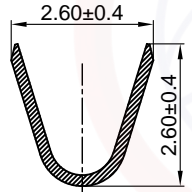
Dept	
Qty	
DC	1
ED	1
IE	1
ISO	1
PD	1
R&D	1
SD	1
QA	1
QC	1
QE	1

The information provided herein is from CONNELY Electronic Co., Ltd. and is confidential. Any disclosure to a party other than the recipient is prohibited. The intellectual properties and its rights contained herein, including but not limited to, trademarks, patents, copyrights, trade secrets, and technical know-how, are owned exclusively by CONNELY or its affiliates. Unauthorized use or reproduction of any part of this document is strictly prohibited. CONNELY may enforce its intellectual property rights at its own discretion, failures or delays to exercise such rights does not constitute a waiver of such rights.

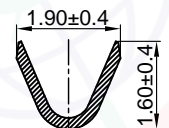
Female Terminal



Section A-A

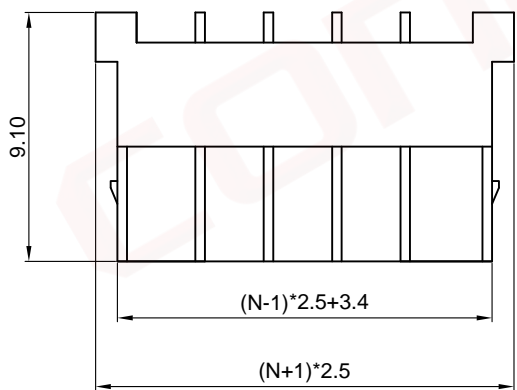
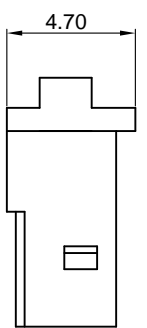


Section B-B



Section C-C

Female Housing



REV.	DESCRIPTION	DRAWN	CHECKED	APPROVED
A	NEW RELEASE	LL 07/22/06'		LJC 07/22/06'
D	DRAWING UPDATE	JLZ 10/25/19'		
E	DRAWING UPDATE	JLZ 01/24/22'		

NOTES:

- Specifications
  - . Housing material: Nylon 66
  - . Wire range: AWG#26~#22
  - . Rated voltage: 250V
  - . Rated current: 3A(22AWG)
  - . Contact resistance: 30mΩ Max
  - . Insulation resistance: 1000MΩ Min
  - . Withstanding voltage: 500V, AC 1 minute
  - . Temperature range: -25 ~ +85°C
  - . Recommend PC board thickness: 1.6mm
- Product number code:

Female Terminal  
 T - DS1069-03 - S C 6 0 0  
 Contact Plating  
 6: Tin

Female Housing  
 I - DS1069-03 - S C X 0 X  
 No. of holes  
 02~16  
 Housing Color  
 W: White

GENERAL TOLERANCE		ANGLE TOLERANCE		PROJECTION		TITLE	
X.	±0.60	X.	±5°	UNITS	mm	2.50mm Terminal & Housing Type	
.X	±0.38	.X	±3°	SHEET SIZE	A4	SERIES	DS1069-03 SERIES
.XX	±0.25	.XX	±2°	晨翔电子有限公司 CONNELY CONNELY ELECTRONIC CO., LTD			
DRAWING TYPE		CUSTOMER					
SCALE	1:1	SHEET	2 OF 2				
DRAWING NO.		C-DS1069-03-XXXXX-E					