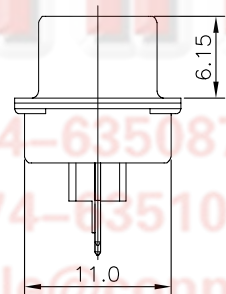
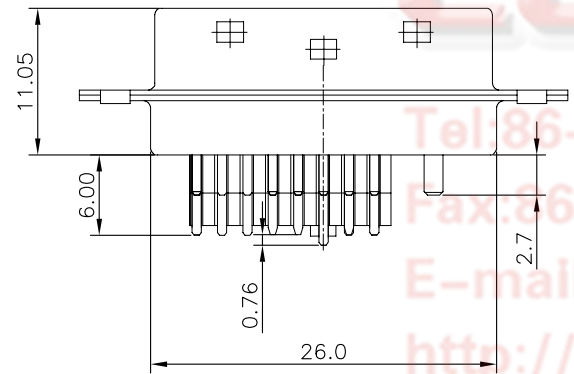
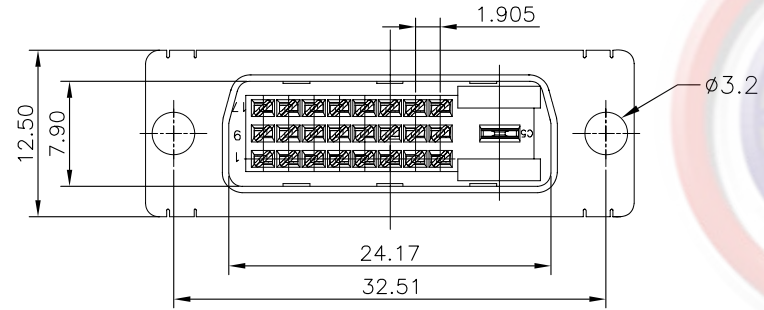


Dept	
Qty	
DC	1
ED	1
IE	1
ISO	1
PD	1
R&D	1
SD	1
QA	1
QC	1
QE	1

The information provided herein is from CONNFLY Electronic Co., Ltd. and is confidential. Any disclosure to a party other than the recipient is prohibited. The intellectual properties and its rights contained herein, including but not limited to, trademarks, patents, copyrights, trade secrets, and technical know-how, are owned exclusively by CONNFLY or its affiliates. Unauthorized use or modification is strictly prohibited. CONNFLY may enforce its intellectual property rights at its own discretion; failures or delays to exercise such rights does not constitute a waiver of such rights.

REV.	DESCRIPTION	DRAWN	CHECKED	APPROVED
A	NEW RELEASE	HP 20/06/05'		LJC 20/06/05'
B	DRAWING UPDATE	JLZ 08/01/18'		



NOTES:

1. SPECIFICATIONS

- Contact Resistance: 30mΩ max
- Insulation Resistance: 1000MΩ min.
- Current Rating: 1A
- Dielectric withstanding voltage: AC 500V For 1 minute
- Contact: Copper alloy.
- Housing: Thermoplastic(UL 94V-0)

2. PRODUCT NUMBER CODE:

DS1088 - X X X X

- Screw type
X: W/O screw
S: W/ #4-40(UNC) screw
- Contact plating
0: Selective gold flash
- Shell plating
N: Nickel
6: Tin
- Color of housing
W: WHITE
B: BLACK
V: Ivory

CONNFLY
 Tel: 86-574-63508787
 Fax: 86-574-63510817
 E-mail: sales@connfly.com
 http://www.connfly.com
 Add: East Industry Zone KuangYan
 Town Cixi Ningbo China
 P.C: 315335

GENERAL TOLERANCE		ANGLE TOLERANCE		PROJECTION		TITLE	
X.	±0.60	X.	±5°	UNITS	mm	DVI PLUG 24+1	
.X	±0.38	.X	±3°	SHEET SIZE	A4	SERIES	DS1088 SERIES
.XX	±0.25	.XX	±2°	晨翔电子有限公司 CONNFLY CONNFLY ELECTRONIC CO. LTD			
DRAWING TYPE		CUSTOMER					
SCALE		1:1	SHEET 1 OF 1				
DRAWING NO.		C-DS1088-XXXX-B					