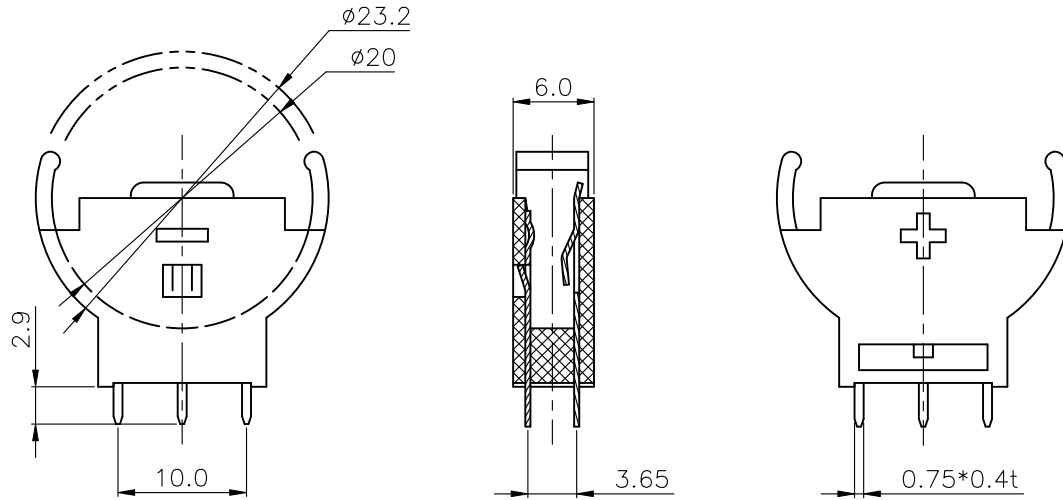


REV.	DESCRIPTION	DRAWN	CHECKED	APPROVED
A	NEW RELEASE	YCH 08/07/12'	~	LJC 08/07/12'
B	DRAWING UPDATE	JLZ 01/20/16'	HZW 01/20/16'	LJC 01/20/16'
C	DRAWING UPDATE	JLZ 06/10/17'	~	



**NOTE:**

**1. Materials:**

1.1 Base: Thermoplastic, UL94 V-0, Color of black.  
Temp. Range:  $-25^{\circ}\text{C}$  to  $+85^{\circ}\text{C}$ .

1.2 Positive & Negative Contacts: Copper Alloy.

**2. Specification:**

2.1 Dielectric Withstanding Voltage: AC 500V AC.

2.2 Insulation Resistance:  $1000\text{M}\Omega$  min.

2.3 Contact Resistance:  $100\text{m}\Omega$  Max.

**3. Part Number Code:**

DS1092-01 - X X X

Housing material:

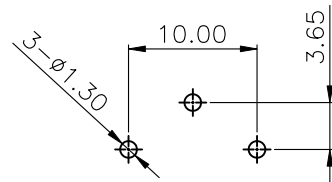
P: PBT

Contact plating:

6: Tin

Housing color:

B: Black



Recommend PCB Layout  
Tolerance= $\pm 0.05$

GENERAL TOLERANCE		ANGLE TOLERANCE		PROJECTION	TITLE	2032 Lithium Coin Cell Battery Holders Upright insert type	
X.	$\pm 0.60$	X.	$\pm 5^{\circ}$		mm		
.X	$\pm 0.38$	.X	$\pm 3^{\circ}$				
.XX	$\pm 0.25$	.XX	$\pm 2^{\circ}$				
DRAWING TYPE		CUSTOMER		SHEET SIZE	A4	SERIES	DS1092-01 Series
SCALE		1:1	SHEET	10F1			
DRAWING NO.		C-DS1092-01-XXX-C					

**晨翔电子有限公司**  
**CONNFLY CONNFLY ELECTRONIC CO. LTD**