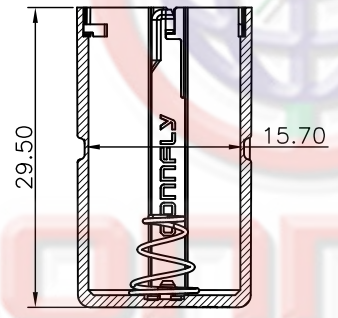
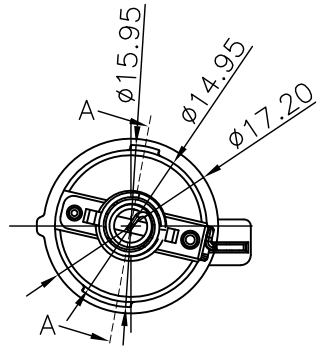
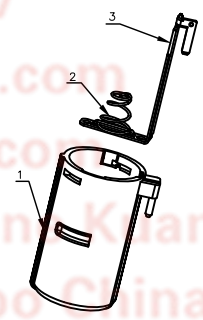
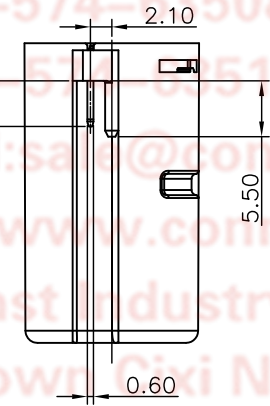
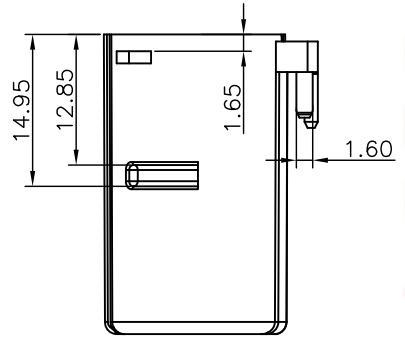


Dept  
 Qty  
 DC 1  
 ED 1  
 IE 1  
 ISO 1  
 PD 1  
 R&D 1  
 SD 1  
 QA 1  
 QC 1  
 QF 1  
 The information provided herein is from CONNELY Electronic Co., Ltd. and is confidential. Any disclosure to a party other than the recipient is prohibited. The intellectual properties and its rights contained herein, including but not limited to, trademarks, patents, copyrights, trade secrets, and technical know-how, are owned exclusively by CONNELY or its affiliates. Unauthorized use or reproduction of any part of this document in any format or manner. CONNELY may enforce its intellectual property rights at its own discretion; failures or delays to exercise such rights does not constitute a waiver of such rights.

REV.	DESCRIPTION	DRAWN	CHECKED	APPROVED
A	NEW RELEASE	JLZ 08/10/18'		



SECTION A-A  
SCALE 1:1



NOTES:

- ELECTRICAL CHARACTERISTICS:
  - CONTACT RESISTANCE: 260mΩ Max.
  - DIELECTRIC WITHSTANDING VOLTAGE: 500V AC(rms) FOR 1 MINUTE.
  - INSULATION RESISTANCE: 100MΩ Min.
  - CURRENT RATING:1A.
  - VOLTAGE RATING:30V DC.
- ENVIRONMENT CHARACTERISTICS:
  - TEMPERATURE: -25°C~+70°C.
- MATERIALS
  - CONTACT MATERIAL: COPPER ALLOY, NICKEL PLATED.
  - INSULATOR MATERIALS: PC, GRAY.
- PRODUCT NUMBER CODE:  
DS1092-27 - X X X X 0 X 0

- Packing Type  
P:Ploybag
- Housing Color  
A:Gray
- Contact Plating  
N:Nickel
- Mounting Type  
P:Press Fit
- Connector Type  
F:Female

Tel:86-574-63508787  
 Fax:86-574-63510817  
 E-mail:sales@connfly.com  
 http://www.connfly.com  
 Add:East Industry Zone, KiangYan  
 Town, Cixi Ningbo, China  
 P.C:315333

GENERAL TOLERANCE		ANGLE TOLERANCE		PROJECTION	TITLE
X.	±0.60	X.	±5°		Battery Holders Barrel Type
.X	±0.38	.X	±3°	mm	Box
.XX	±0.25	.XX	±2°	A4	SERIES DS1092-27 SERIES

ITEM	PART NAME	MATERILAS	FINISHED
3	Contact	Copper Alloy	Nickel Plated
2	Spring	Stainless steel	-
1	Housing	PC	Gray, UL94 V-0

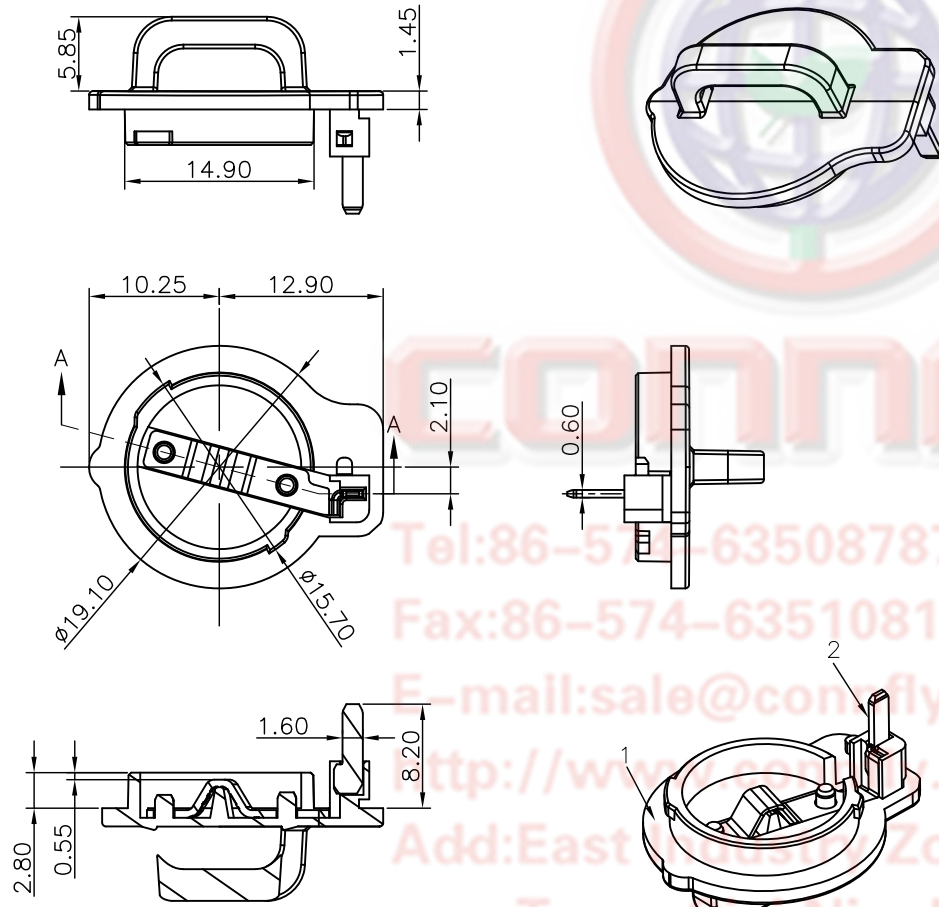
DRAWING TYPE	CUSTOMER
SCALE	1:1 SHEET 1 OF 2
DRAWING NO.	C-DS1092-27-XXXX0X0-A

**晨翔电子有限公司**  
**CONNFLY CONNELY ELECTRONIC CO. LTD**

Dept	1	2	3	4	5	6	7	8
Qty								
DC	1							
ED	1							
IE	1							
ISO	1							
PD	1							
R&D	1							
SD	1							
QA	1							
QC	1							
QE	1							

REV.	DESCRIPTION	DRAWN	CHECKED	APPROVED
A	NEW RELEASE	JLZ 08/10/18'		

The information provided herein is from CONNELY Electronic Co., Ltd. and is confidential. Any disclosure to a party other than the recipient is prohibited. The intellectual properties and its rights contained herein, including but not limited to, trademarks, patents, copyrights, trade secrets, and technical know-how, are owned exclusively by CONNELY or its affiliates. Unauthorized use or reproduction of any part of this document in any format or manner. CONNELY may enforce its intellectual property rights at its own discretion; failures or delays to exercise such rights does not constitute a waiver of such rights.



SECTION A-A  
SCALE 1:1

NOTES:

- ELECTRICAL CHARACTERISTICS:
  - CONTACT RESISTANCE: 260mΩ Max.
  - DIELECTRIC WITHSTANDING VOLTAGE: 500V AC(rms) FOR 1 MINUTE.
  - INSULATION RESISTANCE: 100MΩ Min.
  - CURRENT RATING:1A.
  - VOLTAGE RATING:30V DC.
- ENVIRONMENT CHARACTERISTICS:
  - TEMPERATURE: -25°C~+70°C.
- MATERIALS
  - CONTACT MATERIAL: COPPER ALLOY, NICKEL PLATED.
  - INSULATOR MATERIALS: PC, GRAY.
- PRODUCT NUMBER CODE:  
DS1092-27 - X X X X 0 X 0

Packing Type  
P:Ploybag  
  
 Housing Color  
A:Gray  
  
 Contact Plating  
N:Nickel  
  
 Mounting Type  
P:Press Fit  
  
 Connector Type  
M:Male

GENERAL TOLERANCE		ANGLE TOLERANCE	
X.	±0.60	X.	±5°
.X	±0.38	.X	±3°
.XX	±0.25	.XX	±2°

PROJECTION		TITLE	Battery Holders Barrel Type Cover
UNITS	mm		
SHEET SIZE	A4	SERIES	DS1092-27 SERIES

2	Contact	Copper Alloy	Nickel Plated	DRAWING TYPE	CUSTOMER		
1	Housing	PC	Gray, UL94 V-0	SCALE	1:1	SHEET	2 OF 2
ITEM	PART NAME	MATERILAS	FINISHED	DRAWING NO.	C-DS1092-27-XXXXX0-A		

**晨翔电子有限公司**  
**CONNELY CONNELY ELECTRONIC CO. LTD**

Tel:86-574-63508787  
 Fax:86-574-63510817  
 E-mail:sale@connely.com  
 http://www.connely.com  
 Add:East Zone KuangYan  
 Town Cixi Ningbo China  
 P.C:315333