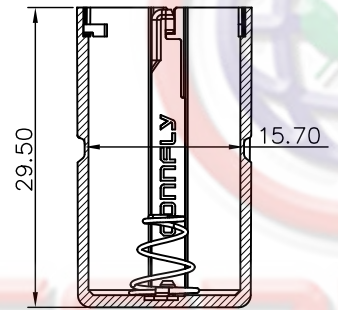
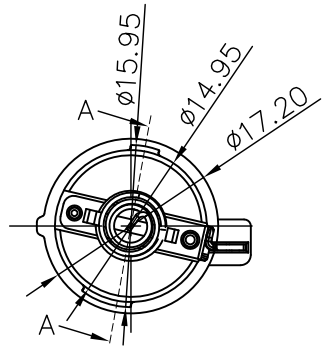


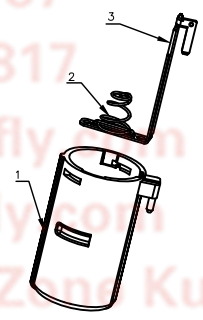
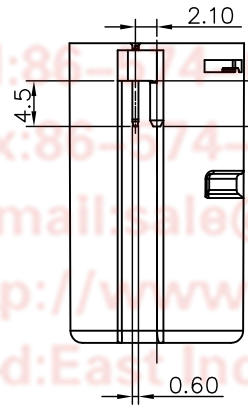
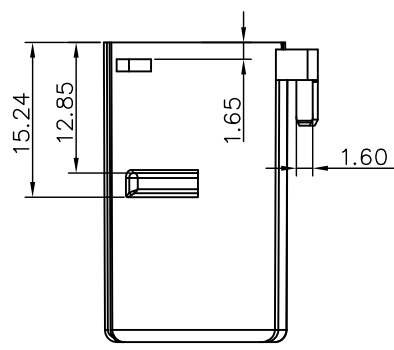
Dept	1	2	3	4	5	6	7	8
Qty								
DC	1							
ED	1							
IE	1							
ISO	1							
PD	1							
R&D	1							
SD	1							
QA	1							
QC	1							
QE	1							

REV.	DESCRIPTION	DRAWN	CHECKED	APPROVED
A	NEW RELEASE	JLZ 08/21/18'		
B	DRAWING UPDATE	JLZ 09/26/18'		

The information provided herein is from CONNFLY Electronic Co., Ltd. and is confidential. Any disclosure to a party other than the recipient is prohibited. The intellectual properties and its rights contained herein, including but not limited to, trademarks, patents, copyrights, trade secrets, and technical know-how, are owned exclusively by CONNFLY or its affiliates. Unauthorized use or reproduction of this information in any form or manner, without the prior written consent of CONNFLY, may constitute a violation of applicable laws and regulations. CONNFLY may enforce its intellectual property rights at its own discretion; failures or delays to exercise such rights does not constitute a waiver of such rights.



SECTION A-A  
SCALE 1:1



NOTES:

- ELECTRICAL CHARACTERISTICS:
  - CONTACT RESISTANCE: 260mΩ Max.
  - DIELECTRIC WITHSTANDING VOLTAGE: 500V AC(rms) FOR 1 MINUTE.
  - INSULATION RESISTANCE: 100MΩ Min.
  - CURRENT RATING: 1A.
  - VOLTAGE RATING: 30V DC.
- ENVIRONMENT CHARACTERISTICS:
  - TEMPERATURE: -25°C~+85°C.
- MATERIALS
  - CONTACT MATERIAL: COPPER ALLOY, NICKEL PLATED.
  - INSULATOR MATERIALS: PC, GRAY.
- PRODUCT NUMBER CODE:  
DS1092-30 - X X X X 0 X 0

- Packing Type  
P: Ploybag
- Housing Color  
A: Gray
- Contact Plating  
N: Nickel
- Mounting Type  
P: Press Fit
- Connector Type  
F: Female

Tel: 86-574-63508787  
 Fax: 86-574-63510817  
 E-mail: sale@connfly.com  
 http://www.connfly.com  
 Add: East Industry Zone, KuangYan  
 Town Cixi Ningbo China  
 P.C: 315333

GENERAL TOLERANCE		ANGLE TOLERANCE		PROJECTION		TITLE	Battery Holders Barrel Type	
X.	±0.60	X.	±5°	UNITS	mm	Box(Short Column)		
.X	±0.38	.X	±3°	SHEET SIZE	A4	SERIES	DS1092-30 SERIES	
.XX	±0.25	.XX	±2°	<b>晨翔电子有限公司</b> <b>CONNFLY CONNFLY ELECTRONIC CO. LTD</b>				
DRAWING TYPE		CUSTOMER						
SCALE		1:1	SHEET 1 OF 1					
DRAWING NO.		C-DS1092-30-XXXX0X0-B						

3	Contact	Copper Alloy	Nickel Plated
2	Spring	Stainless steel	-
1	Housing	PC	Gray
ITEM	PART NAME	MATERILAS	FINISHED