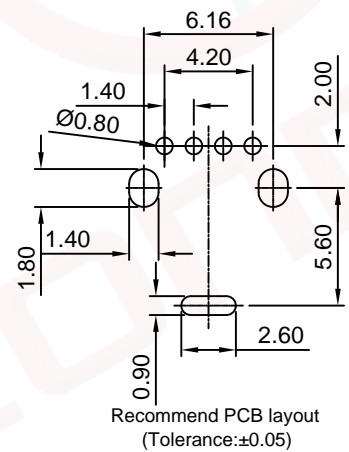
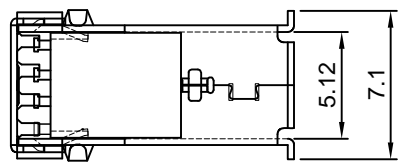
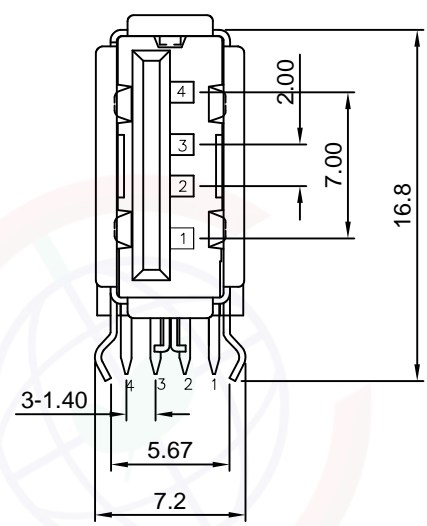
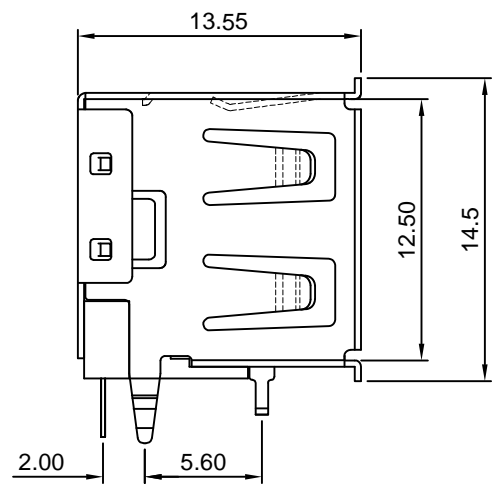


Dept	Qty
DC	1
ED	1
IE	1
ISO	1
PD	1
R&D	1
SD	1
QA	1
QC	1
QF	1

The information provided herein is from CONNELY Electronic Co., Ltd. and is confidential. Any disclosure to a party other than the recipient is prohibited. The intellectual properties and its rights contained herein, including but not limited to, trademarks, patents, copyrights, trade secrets, and technical know-how, are owned exclusively by CONNELY or its affiliates. Unauthorized use or reproduction of any part of this document, in any form or by any means, without the prior written permission of CONNELY, is strictly prohibited. CONNELY may enforce its intellectual property rights at its own discretion, failures or delays to exercise such rights does not constitute a waiver of such rights.

REV.	DESCRIPTION	DRAWN	CHECKED	APPROVED
A	NEW RELEASE	YCH 08/09/08'		LJC 08/09/08'
B	DRAWING UPDATE	JLZ 04/14/17'		
C	DRAWING UPDATE	JLZ 02/11/22'		



(Series Image-Reference Only)

Notes:

Specifications:

1. Contact Resistance: 30mΩ Max.
2. Insulation Resistance: 1000MΩ Min.
3. Dielectric Withstanding Voltage: 500V AC(rms) For 1 Minute.
4. Current Rating:1.5A Max
5. Voltage Rating:30V Max
6. Temperature: -40°C~+85°C.

Materials:

1. Contact Material: Copper Alloy.
2. Shell Material: Steel.
3. Insulator Material: Thermoplastic,Black or White.

Mechanical Characteristics:

1. Mating Force:3.57Kgf Maximum.
2. Unmating Force:1.02Kgf Minimum.
3. Durability:1500 Cycles

Product Number Code:

DS1095-07 - X X X X

- Contact plating  
0: Selective gold flash  
03: Selective gold 3u"  
30: Selective gold 30u"
- Mounting type  
R: R/A
- Shell plating  
N: Nickel
- Color of housing  
W: White  
B: Black

GENERAL TOLERANCE		ANGLE TOLERANCE		PROJECTION		TITLE	USB A Female Upright Angle Type	
X.	±0.60	X.	±5°	UNITS	mm	SERIES	DS1095-07 SERIES	
.X	±0.38	.X	±3°	SHEET SIZE	A4			
.XX	±0.25	.XX	±2°					
DRAWING TYPE		CUSTOMER						
SCALE		1:1	SHEET	1 OF 1				
DRAWING NO.		C-DS1095-07-XXXX-C						

**晨翔电子有限公司**  
CONNELY ELECTRONIC CO., LTD