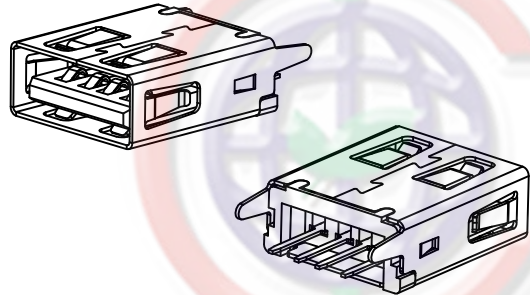
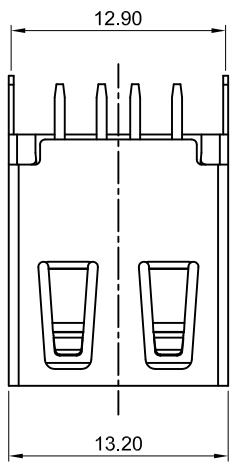


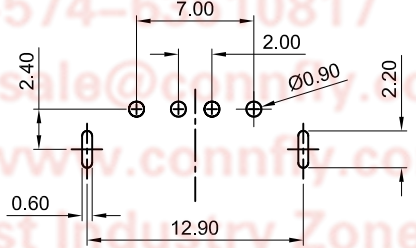
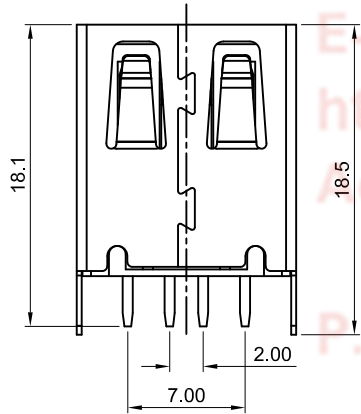
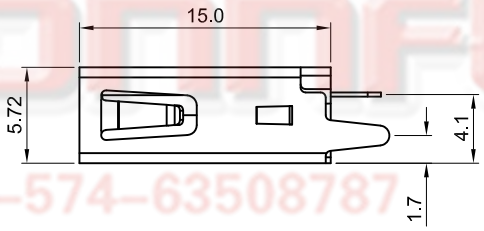
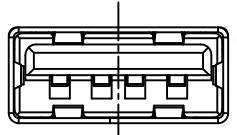
The information provided herein is from CONNELY Electronic Co., Ltd. and is confidential. Any disclosure to a party other than the recipient is prohibited. The intellectual properties and its rights contained herein, including but not limited to, trademarks, patents, copyrights, trade secrets, and technical know-how, are owned exclusively by CONNELY or its affiliates. Unauthorized use of this information in any format or manner, CONNELY may enforce its intellectual property rights at its own discretion; failures or delays to exercise such rights does not constitute a waiver of such rights.

1 2 3 4 5 6 7 8

REV.	DESCRIPTION	DRAWN	CHECKED	APPROVED
A	NEW RELEASE	Andy_H 12/1/17		



3D VIEW



RECOMMEND PCB LAYOUT
(TOLERANCE=±0.05)

- NOTES:
- SPECIFICATIONS:
 - CONTACT RESISTANCE: 30mΩ max.
 - INSULATOR RESISTANCE: 1000MΩ min. AT DC 500V.
 - CURRENT RATING: 1.5A.
 - VOLTAGE RATING: 30V AC/DC.
 - DIELECTRIC STRENGTH: AC 500V FOR 1 Minute.
 - TEMPERATURE RANGE: -40°C ~ +105°C.
 - MATERIALS:
 - HOUSING: THERMOPLASTIC(UL94 V-0).
 - CONTACT: COPPER ALLOY
 - SHELL: COPPER ALLOY.

3. PRODUCT NUMBER CODE:

DS1095-16 - X X X X

- Contact plating
 - 0: Selective gold flash
 - 03: Selective gold 3u"
 - 30: Selective gold 30u"
- Mounting type
 - S: Straight type
- Shell plating
 - N: Nickel
- Color of housing
 - B: Black
 - W: White

GENERAL TOLERANCE	ANGLE TOLERANCE
X. ±0.60	X. ±5°
.X ±0.38	.X ±3°
.XX ±0.25	.XX ±2°

PROJECTION		TITLE	USB A Female V/T Type
UNITS	mm		H=15.0mm W/O Flange Type
SHEET SIZE	A4	SERIES	DS1095-16 SERIES

DRAWING TYPE	CUSTOMER		
SCALE	1:1	SHEET	1 OF 1
DRAWING NO.	C-DS1095-16-XXXX-A		

晨翔电子有限公司
CONNELY CONNELY ELECTRONIC CO. LTD

1 2 3 4 5 6 7 8