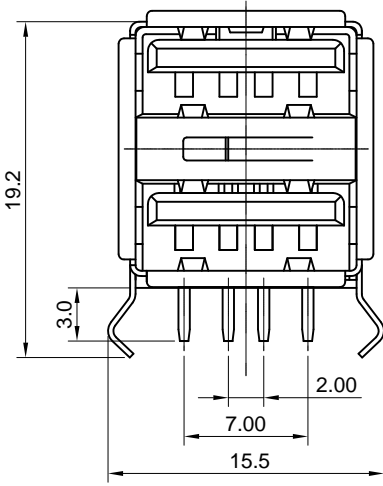
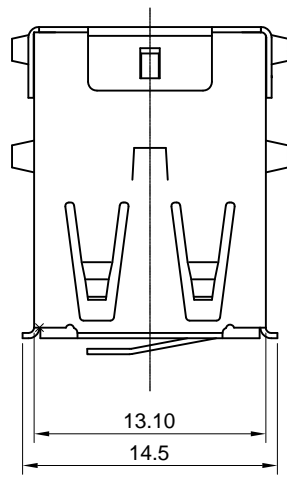
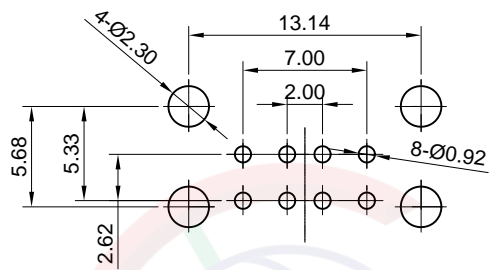


| Dept | Qty |
|------|-----|
| DC | 1 |
| ED | 1 |
| IE | 1 |
| ISO | 1 |
| PD | 1 |
| R&D | 1 |
| SD | 1 |
| QA | 1 |
| QC | 1 |
| QF | 1 |

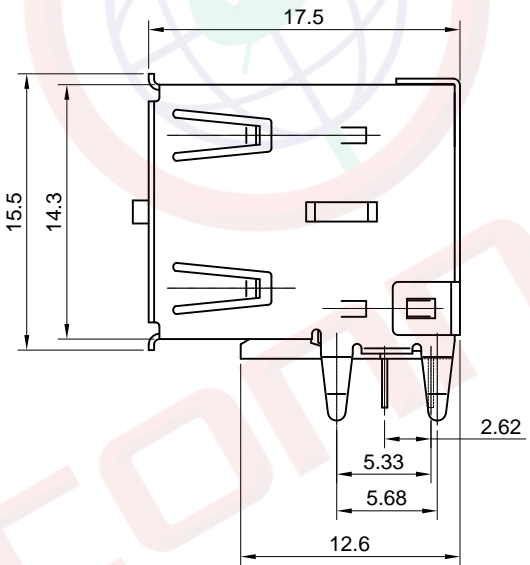
The information provided herein is from CONNELY Electronic Co., Ltd. and is confidential. Any disclosure to a party other than the recipient is prohibited. The intellectual properties and its rights contained herein, including but not limited to, trademarks, patents, copyrights, trade secrets, and technical know-how, are owned exclusively by CONNELY or its affiliates. Unauthorized use or reproduction of any part of this document is strictly prohibited. CONNELY may enforce its intellectual property rights at its own discretion, failures or delays to exercise such rights does not constitute a waiver of such rights.



(Series Image-Reference Only)



Recommend PCB layout
Tolerance±0.05



| REV. | DESCRIPTION | DRAWN | CHECKED | APPROVED |
|------|-----------------|---------------|---------------|---------------|
| A | NEW RELEASE | LJH 05/10/05' | | LJC 05/10/05' |
| B | ARRANGE DRAWING | JLZ 04/15/15' | | LJC 04/15/15' |
| C | DRAWING UPDATE | JLZ 03/23/17' | HZW 03/23/17' | LJC 03/23/17' |
| D | DRAWING UPDATE | JLZ 04/22/19' | | |

NOTES:

- Specifications:
 - Contact resistance:30mΩ max.
 - Insulator resistance:1000MΩ min.at DC 500V.
 - Current rating:1.5A.
 - Voltage rating:30V DC.
 - Dielectric strength:AC 500V for 1 minute.
- Materials:
 - Housing:PBT+Glass fiber(UL 94-0).
 - Contact:Copper alloy.
 - Shell:Copper alloy.
- Environment characteristics:
 - Temperature: -20°C--+85°C.
- Product number code:
DS1096 - X X X X - X
 - Shell material
Fe: Steel
N/A Code: Copper alloy
 - Shell type
S: W/ shrapnel
X: W/O shrapnel
 - Contact plating
0: Selective gold flash
03: Selective gold 3u"
30: Selective gold 30u"
 - Shell plating
N: Nickel
6: Tin
 - Color of housing
W: White
B: Black

| | | | | | | | | |
|-------------------|-------|-----------------|--------|---|----|--------|---|--|
| GENERAL TOLERANCE | | ANGLE TOLERANCE | | PROJECTION | | TITLE | USB DUAL 8 PIN RECEPTALCE RIGHT ANGLE TYPE | |
| X. | ±0.60 | X. | ±5° | UNITS | mm | | | |
| .X | ±0.38 | .X | ±3° | SHEET SIZE | A4 | SERIES | DS1096 SERIES | |
| .XX | ±0.25 | .XX | ±2° | 晨翔电子有限公司 CONNFLY CONNELY ELECTRONIC CO. LTD | | | | |
| DRAWING TYPE | | CUSTOMER | | | | | | |
| SCALE | 1:1 | SHEET | 1 OF 1 | | | | | |
| DRAWING NO. | | C-DS1096-XXXX-D | | | | | | |