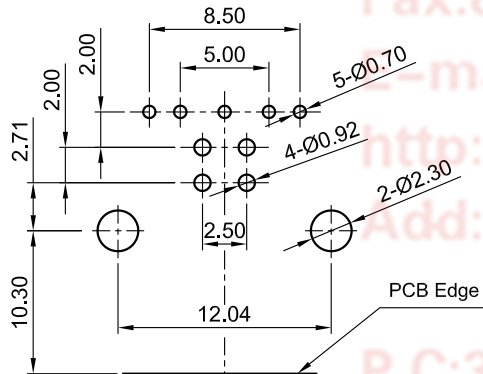
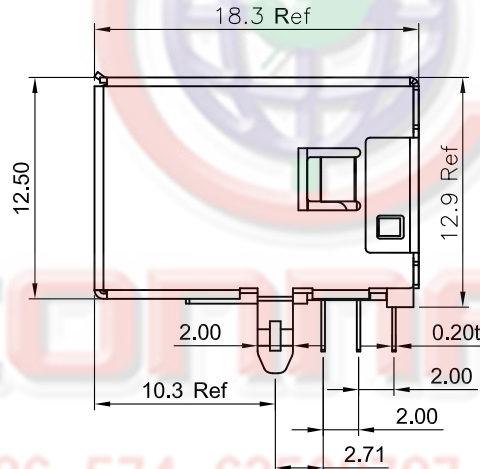
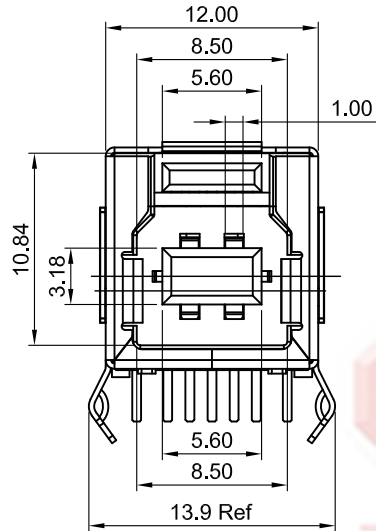
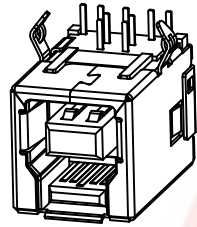
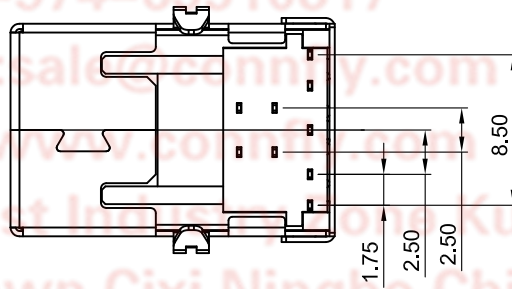


Dept	
Qty	
DC	1
ED	1
IE	1
ISO	1
PD	1
R&D	1
SD	1
QA	1
QC	1
QE	1

The information provided herein is from CONNELY Electronic Co., Ltd. and is confidential. Any disclosure to a party other than the recipient is prohibited. The intellectual properties and its rights contained herein, including but not limited to, trademarks, patents, copyrights, trade secrets, and technical know-how, are owned exclusively by CONNELY or its affiliates. Unauthorized use or modification is strictly prohibited. CONNELY may enforce its intellectual property rights at its own discretion; failures or delays to exercise such rights does not constitute a waiver of such rights.



RECOMMEND PCB LAYOUT
TOLERANCE=±0.05



REV.	DESCRIPTION	DRAWN	CHECKED	APPROVED
A	NEW RELEASE	YCH 09/04/10'		LJC 09/04/10'
B	DRAWING UPDATE	JLZ 12/18/18'		

NOTES:

1. SPECIFICATIONS:

- 1.0 CONTACT RESISTANCE: 30mΩ(max.) INITIAL FOR VBUS AND GND CONTACTS. 50mΩ(max.) INITIAL FOR ALL OTHER CONTACTS.
- 1.1 INSULATOR RESISTANCE: 100MΩ min. AT 100V DC.
- 1.2 CURRENT RATING: 1.8A FOR VBUS PIN AND ITS CORESPONDING GND PIN, 0.25A (MIN.) FOR ALL OTHER CONTACTS
- 1.3 VOLTAGE RATING: 30V AC/DC.
- 1.4 DIELECTRIC STRENGTH: AC 100V FOR 1 Minute.
- 1.5 OPERATING TEMPERATURE: -40°C ~ +105°C.

2. MATERIALS:

- 2.0 HOUSING: THERMOPLASTIC (UL 94-0).
- 2.1 CONTACT: COPPER ALLOY
- 2.2 SHELL: COPPER ALLOY.

3. PRODUCT NUMBER CODE:

DS1099-02 - X X X

- CONTACT PLATING
 - 0: Selective Gold Flash
 - 03: Selective Gold 3u"
 - 30: Selective Gold 30u"
- SHELL PLATING
 - N: Nickel
 - 6: Tin
- COLOR OF HOUSING:
 - L: Blue
 - W: White
 - B: Black

GENERAL TOLERANCE		ANGLE TOLERANCE		PROJECTION		TITLE	USB 3.0 B TYPE FEMALE R/A DIP TYPE
X.	±0.60	X.	±5°	UNITS	mm	SHEET	1 OF 1
.X	±0.38	.X	±3°	SHEET SIZE	A4	SERIES	DS1099-02 SERIES
.XX	±0.25	.XX	±2°	晨翔电子有限公司 CONNELY CONNELY ELECTRONIC CO. LTD			
DRAWING TYPE		CUSTOMER					
SCALE		1:1					
DRAWING NO.		C-DS1099-02-XXX-B					