

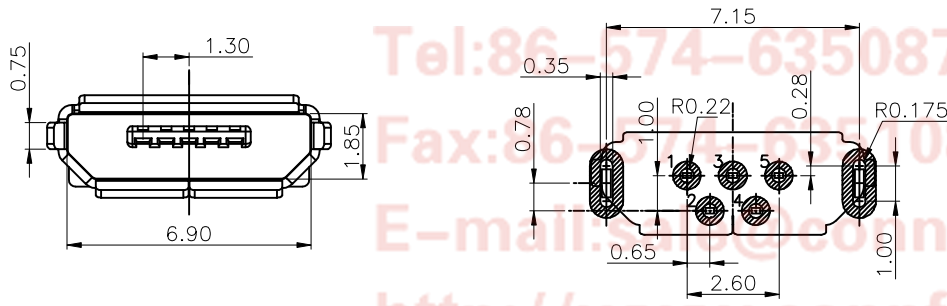
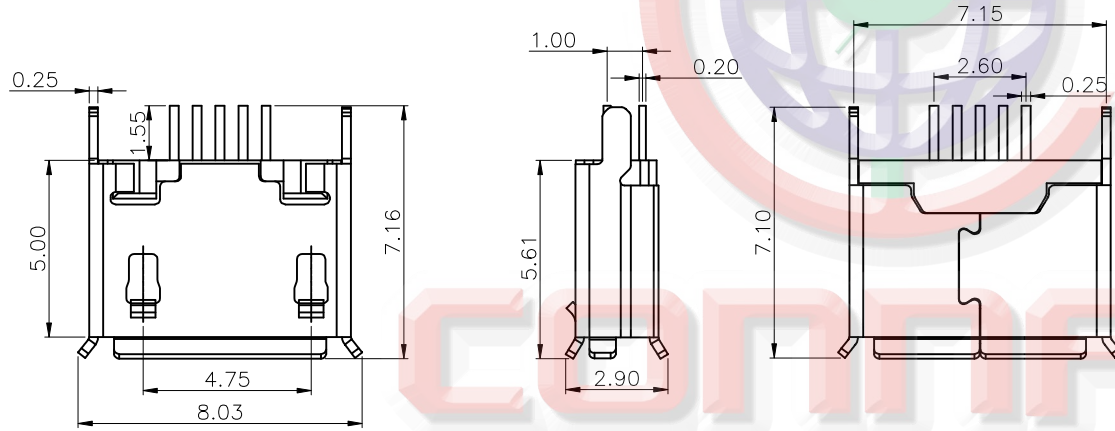
REV.	DESCRIPTION	DRAWN	CHECKED	APPROVED
A	NEW RELEASE	JLZ 05/16/17'	~	

NOTES:

- 1.1 INSULATOR RESISTANCE: 100MΩ Min. AT 100V DC.
- 1.2 CURRENT RATING: 1A FOR PIN1 AND PIN5.
- 1.3 DIELECTRIC STRENGTH: AC 100V FOR 1 Minute.
- 1.4 HOUSING: THERMOPLASTIC (UL 94-0).
- 1.5 CONTACT: COPPER ALLOY
- 1.6 SHELL: STAINLESS STEEL
- 1.7 PRODUCT NUMBER CODE:

DS1105-13 - X X X

- CONTACT PLATED:
O: Selective Gold Flash
- COLOR OF HOUSING:
B: Black
W: White
- CONNECTOR TYPE:
S: Socket



RECOMMEND PCB LAYOUT

Tel:86-574-63508787
 Fax:86-574-6350817
 E-mail:Sales@connfly.com
 http://www.connfly.com
 Add:East Industry Zone KuangYan
 Town Cixi Ningbo China
 P.C:315333

GENERAL TOLERANCE		ANGLE TOLERANCE		PROJECTION		TITLE	MICRO USB B TYPE FEMALE	
X.	±0.60	X.	±5°	UNITS	mm		5P V/T TYPE	
.X	±0.38	.X	±3°	SHEET SIZE	A4	SERIES	DS1105-13 SERIES	
.XX	±0.25	.XX	±2°			晨翔电子有限公司 CONNFLY CONNFLY ELECTRONIC CO. LTD		
DRAWING TYPE		CUSTOMER						
SCALE	1:1	SHEET	1 OF 1					
DRAWING NO.		C-DS1105-13-XXX-A						