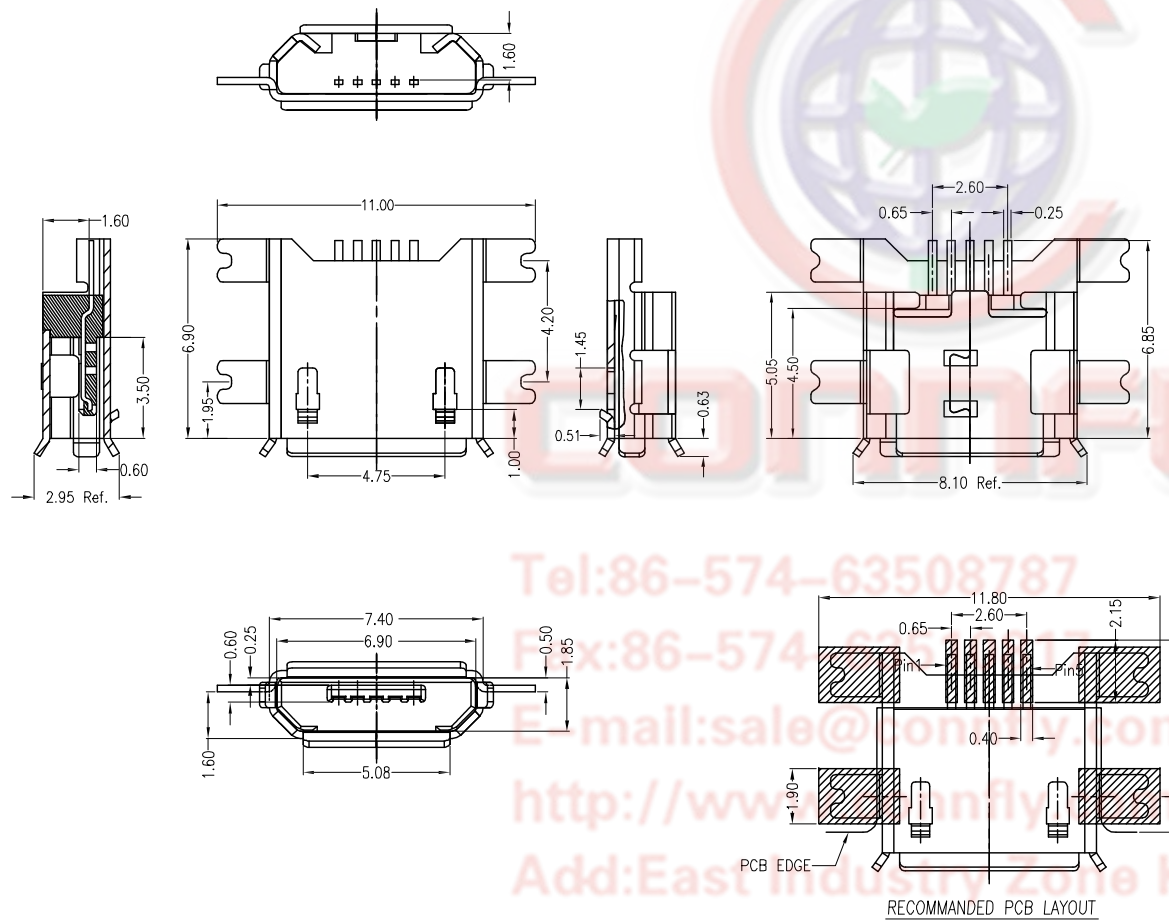


REV.	DESCRIPTION	DRAWN	CHECKED	APPROVED
A	NEW RELEASE	JLZ 07/05/17'	~	



- 1.1 INSULATOR RESISTANCE: 100MΩ Min. AT 100V DC.
- 1.2 CURRENT RATING: 1.8A FOR PIN1 AND PIN5.
- 1.3 DIELECTRIC STRENGTH: AC 100V FOR 1 Minute.
- 1.4 HOUSING: THERMOPLASTIC (UL 94-0).
- 1.5 CONTACT: COPPER ALLOY
- 1.6 SHELL: COPPER ALLOY
- 1.7 PRODUCT NUMBER CODE:

DS1105-15 - X X X X X


- PACKING TYPE
R: Tape On Reel
- CONTACT PLATED:
8: Gold Flash
- MOUNTING TYPE:
S: SMT
- SHELL PLATED:
6: Tin
- COLOR OF HOUSING:
A: Gray

Tel:86-574-63508787
 Fax:86-574-63508787
 E-mail:sale@connfly.com
 http://www.connfly.com
 Add:East Industry Zone KuangYan
 Town Cixi Ningbo China
 P.C:315333

GENERAL TOLERANCE	ANGLE TOLERANCE
X. ±0.60	X. ±5°
.X ±0.38	.X ±3°
.XX ±0.25	.XX ±2°

PROJECTION	TITLE
mm	Micro USB Female 5 Positions B Type Mid-Mount Type
A4	SERIES DS1105-15 SERIES

DRAWING TYPE	CUSTOMER
SCALE	1:1 SHEET 1 OF 1
DRAWING NO.	C-DS1105-15-XXXX-A


晨翔电子有限公司
CONNFLY CONNFLY ELECTRONIC CO. LTD