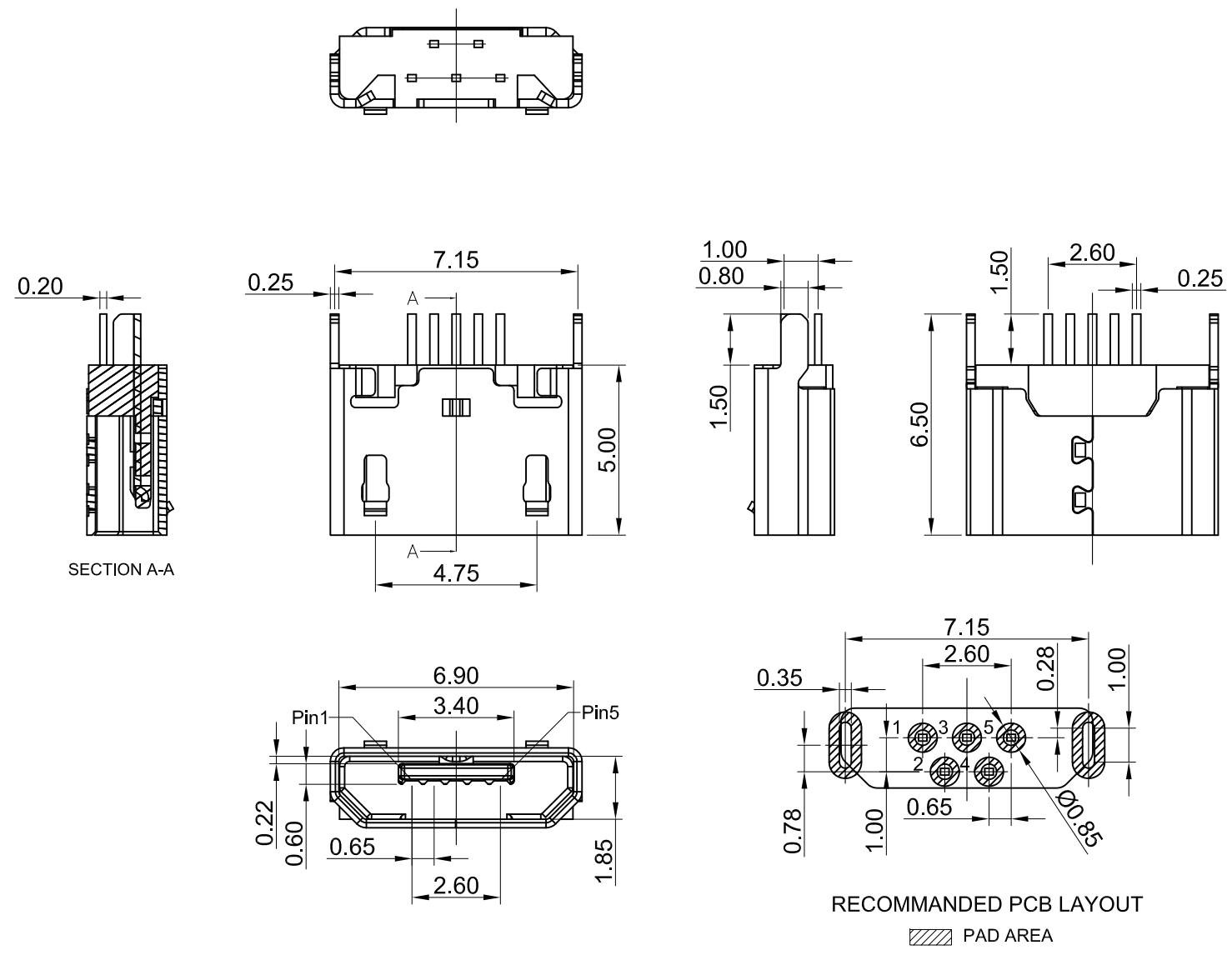


Dept	Qty
DC	1
ED	1
IE	1
ISO	1
PD	1
R&D	1
SD	1
QA	1
QC	1
QE	1

REV.	DESCRIPTION	DRAWN	CHECKED	APPROVED
A	NEW RELEASE	JLZ 12/01/17'		

The information provided herein is from CONNPLY Electronic Co., Ltd. and is confidential. Any disclosure to a party other than the recipient is prohibited. The intellectual properties and its rights contained herein, including but not limited to, trademarks, copyrights, trade secrets, and technical know-how, are owned exclusively by CONNPLY or its affiliates. Unauthorized use or modification is strictly prohibited without prior written consent from CONNPLY. All intellectual properties provided herein are for reference purposes only and does not constitute authorization of its use in any format or manner. CONNPLY may enforce its intellectual property rights at its own discretion; failures or delays to exercise such rights does not constitute a waiver of such rights.



- NOTE:**
- Material:**
    - Housing: LCP Black; Thermoplastics, UL94V-0
    - Contact: Copper Alloy
    - Shell: Stainless Steel
  - Finish:**
    - Contact: Full gold flash
    - Shell: Tin
  - Specification:**
    - Insulation Resistance: 100MΩ Min. @ 100V/DC
    - Contact Resistance: 30 mΩ Max.
    - Dielectric Withstanding Voltage: 100V/AC 1Minute
    - Voltage - Maximum: 30V AC
    - Current - Maximum per Contact: 1.8A, 1.0A
    - Temperature: -30°C~+80°C.

**4.Product Number Code:**  
 DS1105-17 - X X X X X

- X: Packing Type: R: Tape on Reel
- X: Contact Plated: 8: Full Gold Flash
- X: Mounting Type: V: V/T Type
- X: Shell Plated: 6: Tin
- X: Color of Housing: B: Black

**Pin Assignment**

Contact Number	Signal Name
PIN 1	VBUS
PIN 2	D-
PIN 3	D+
PIN 4	ID
PIN 5	GND

GENERAL TOLERANCE	ANGLE TOLERANCE	PROJECTION		TITLE	Micro USB Female 5 Positions B Type
X. ±0.60	X. ±5°	UNITS	mm		V/T H=5.0mm
.X ±0.38	.X ±3°	SHEET SIZE	A4	SERIES	DS1105-17 SERIES
.XX ±0.25	.XX ±2°				

DRAWING TYPE	CUSTOMER
SCALE	1:1 SHEET 1 OF 1
DRAWING NO.	C-DS1105-17-XXXXX-A

**晨翔电子有限公司**  
**CONNPLY CONNPLY ELECTRONIC CO. LTD**