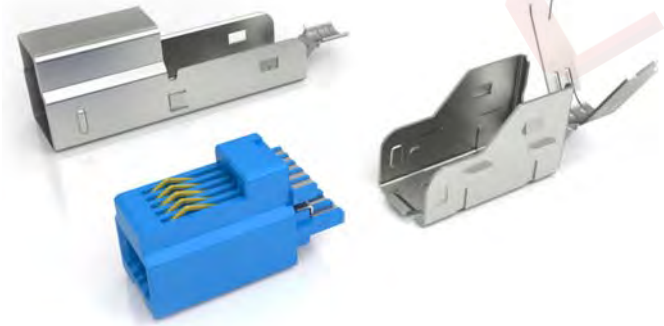
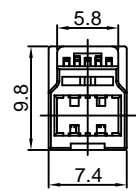
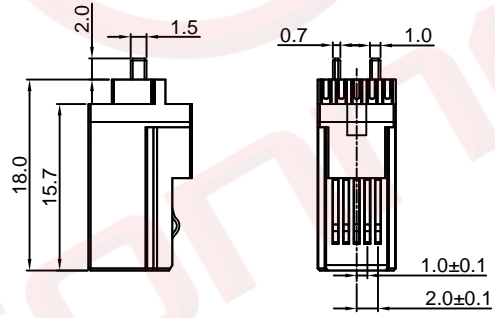
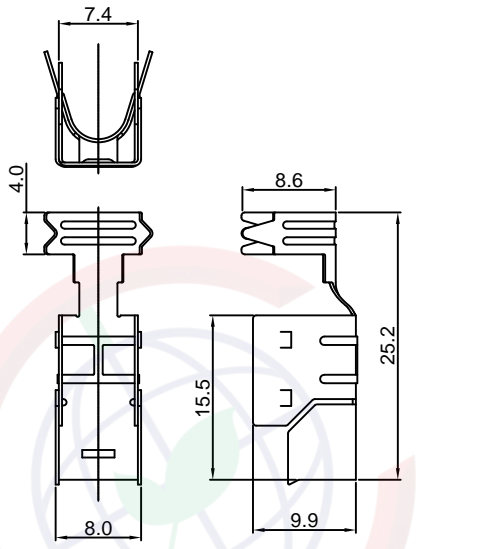
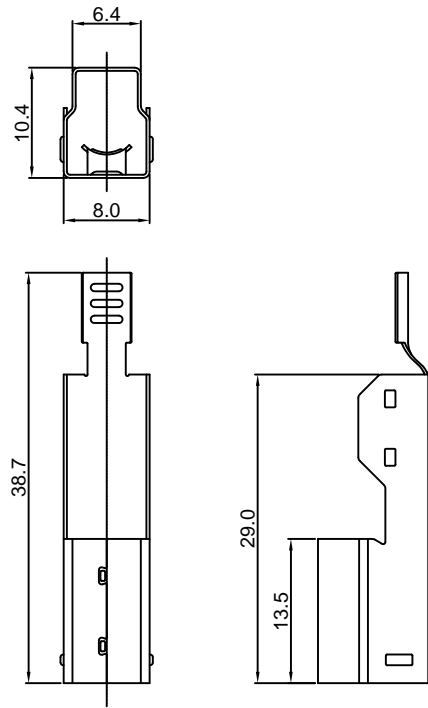


| | |
|------|---|
| Dept | |
| Qty | |
| DC | 1 |
| ED | 1 |
| IE | 1 |
| ISO | 1 |
| PD | 1 |
| R&D | 1 |
| SD | 1 |
| QA | 1 |
| QC | 1 |
| QF | 1 |

The information provided herein is from CONNELY Electronic Co., Ltd. and is confidential. Any disclosure to a party other than the recipient is prohibited. The intellectual properties and its rights contained herein, including but not limited to, trademarks, patents, copyrights, trade secrets, and technical know-how, are owned exclusively by CONNELY or its affiliates. Unauthorized use or reproduction of any part of this document is strictly prohibited. CONNELY reserves the right to make changes to this document without notice and to exercise such rights as it deems necessary. CONNELY may enforce its intellectual property rights at its own discretion, failures or delays to exercise such rights does not constitute a waiver of such rights.

| REV. | DESCRIPTION | DRAWN | CHECKED | APPROVED |
|------|----------------|---------------|---------|---------------|
| A | NEW RELEASE | YCH 09/06/10' | | LJC 09/06/10' |
| B | DRAWING UPDATE | JLZ 08/26/19' | | |
| | | | | |



(Series Image-Reference Only)

Notes:

Specifications:

- Contact Resistance: 50mΩ Max.
- Insulation Resistance: 100MΩ Min.
- Dielectric Withstanding Voltage: 100V AC(rms) For 1 Minute.
- Current Rating: 1.8A Max
- Voltage Rating: 30V Max
- Temperature: -40°C~+85°C.

Materials:

- Contact Material: Copper Alloy.
- Shell Material: Steel.
- Insulator Material: Thermoplastic, Blue.

Product Number Code:

DS1109 - X X X

- Contact plating
0: Selective gold flash
03: Selective gold 3u"
30: Selective gold 30u"
- Shell plating
N: Nickel
8: Gold
- Color of housing
L: Blue

| | | | | | | | | | |
|-------------------|-------|-----------------|-------|------------|----|--------|---------------------------------|--|--|
| GENERAL TOLERANCE | | ANGLE TOLERANCE | | PROJECTION | | TITLE | USB 3.0 B Type Male Solder Type | | |
| X. | ±0.60 | X. | ±5° | UNITS | mm | | | | |
| .X | ±0.38 | .X | ±3° | SHEET SIZE | A4 | SERIES | DS1109 SERIES | | |
| .XX | ±0.25 | .XX | ±2° | | | | | | |
| DRAWING TYPE | | CUSTOMER | | | | | | | |
| SCALE | | 1:1 | SHEET | 1 OF 1 | | | | | |
| DRAWING NO. | | C-DS1109-XXX-B | | | | | | | |

晨翔电子有限公司
CONNELY CONNELY ELECTRONIC CO. LTD