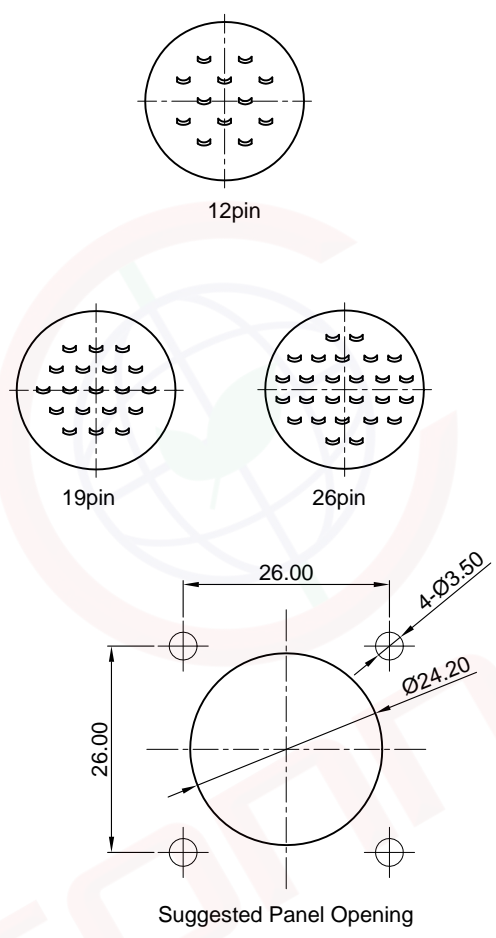
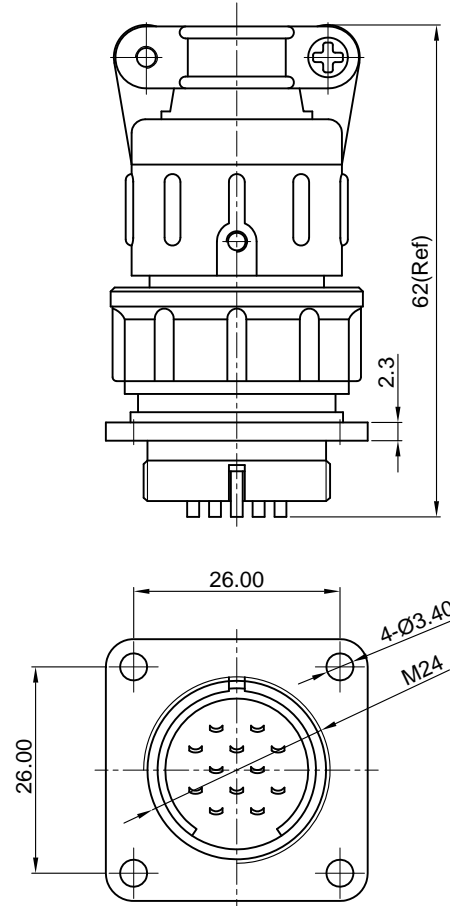


Dept	
Qty	
DC	1
ED	1
IE	1
ISO	1
PD	1
R&D	1
SD	1
QA	1
QC	1
QF	1

The information provided herein is from CONNPLY Electronic Co., Ltd. and is confidential. Any disclosure to a party other than the recipient is prohibited. The intellectual properties and its rights contained herein, including but not limited to, trademarks, patents, copyrights, trade secrets, and technical know-how, are owned exclusively by CONNPLY or its affiliates. Unauthorized use or modification is strictly prohibited without prior written consent from CONNPLY. Intellectual properties provided herein are for reference purposes only and does not constitute authorization of its use in any format or manner. CONNPLY may enforce its intellectual property rights at its own discretion, failures or delays to exercise such rights does not constitute a waiver of such rights.



(Series Image-Reference Only)

REV.	DESCRIPTION	DRAWN	CHECKED	APPROVED
A	NEW RELEASE	YCH 08/17/07'	~	LJC 08/07/17'
B	DRAWING UPDATE	JLZ 07/09/22'	~	

Notes:  
 Specifications:  
 1. Contact Resistance: 20mΩ Max.  
 2. Insulation Resistance: 1000MΩ Min.  
 3. Dielectric Withstanding Voltage: 1000V AC(rms) For 1 Minute.  
 4. Current Rating:5A.  
 5. Temperature: -40°C~+105°C.  
 Materials:  
 1. Contact Material: Copper Alloy.  
 2. Contact Plating: Silver.  
 3. Insulator Material: Bakelite,Blue.  
 4. Shell Material: Zinc Alloy.  
 Product Number Code:  
 DS1110-26 - X X X X

Shell Surface Finished  
 P: Spray The Paint (Gray)  
 Contact plating  
 Y: Silver  
 Color of housing:  
 L: Blue  
 No. of contacts  
 12 19 26

GENERAL TOLERANCE		ANGLE TOLERANCE		PROJECTION		TITLE	Micro Jack Total Length=62mm Ref.
X.	±0.60	X.	±5°	UNITS	mm	SERIES	DS1110-07 SERIES
.X	±0.38	.X	±3°	SHEET SIZE	A4		
.XX	±0.25	.XX	±2°				
DRAWING TYPE		CUSTOMER		晨翔电子有限公司 <b>CONNPLY CONNPLY ELECTRONIC CO. LTD</b>			
SCALE		1:1					
DRAWING NO.		C-DS1110-07-XXXX-B					