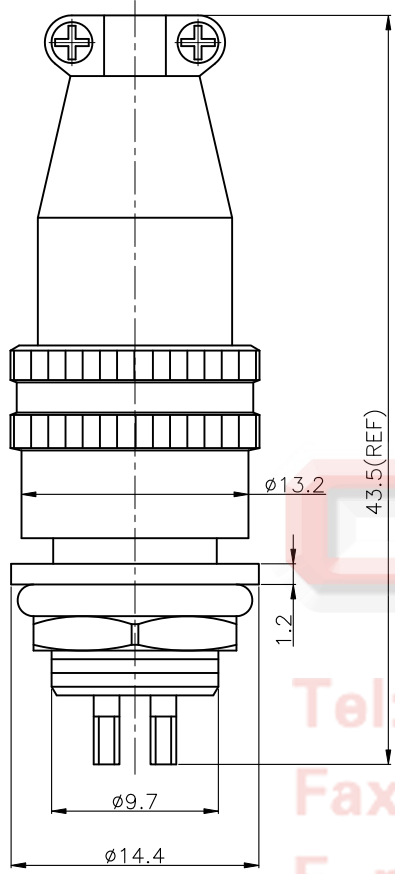


REV.	DESCRIPTION	DRAWN	CHECKED	APPROVED
A	NEW RELEASE	JLZ 05/19/17'	~	

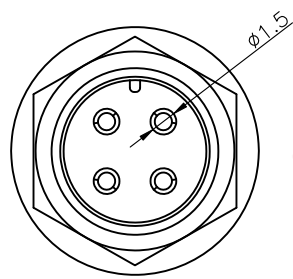
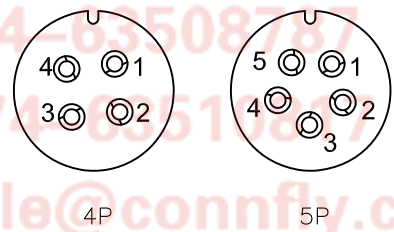


NOTES:

- SPECIFICATION
 - CURRENT RATING: 5A Max.
 - DIELECTRIC WITH STANDING VOLTAGE: 1000V(AC)
 - CONTACT RESISTANCE: 50mΩ Max.
 - INSULATION RESISTANCE: 1000MΩ(DC)Min.
- PRODUCT NUMBER CODE:

DS1110-12 - X X X X

- SHELL SURFACE FINISHED
N: NICKEL
- CONTACT PLATING
8: FULL GOLD FLASH
- COLOR OF HOUSING:
L: BLUE
- No. OF CONTACTS
04: 4pin
05: 5pin



Tel:86-574-83508787
 Fax:86-574-83518877
 E-mail:sale@connfly.com
<http://www.connfly.com>
 Add:East Industry Zone KuangYan
 Town Cixi Ningbo China
 P.C:315333

GENERAL TOLERANCE		ANGLE TOLERANCE		PROJECTION		TITLE	Micro Jack Total Length=43.5mm Ref Pin Ø1.0mm Push Pull Type
X.	±0.60	X.	±5°	UNITS	mm	SHEET SIZE	A4
.X	±0.38	.X	±3°			SERIES	DS1110-12 SERIES
.XX	±0.25	.XX	±2°				
DRAWING TYPE		CUSTOMER		晨翔电子有限公司 CONNFLY CONNFLY ELECTRONIC CO. LTD			
SCALE		1:1	SHEET 1 OF 1				
DRAWING NO.		C-DS1110-12-XXX-A					