

REV.	DESCRIPTION	DRAWN	CHECKED	APPROVED
A	NEW RELEASE	JLZ 06/06/17'		

NOTES:

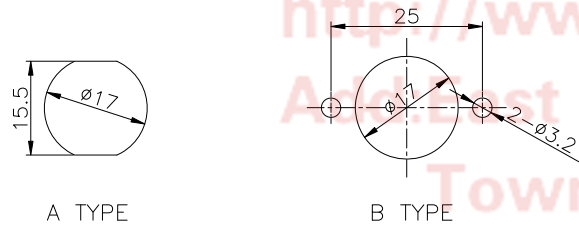
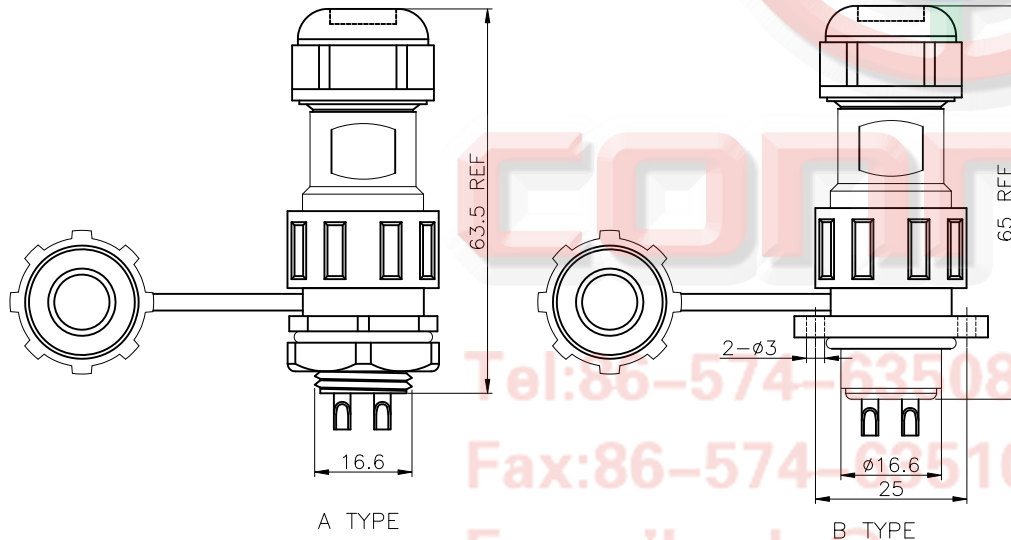
1.SPECIFICATION

- .CURRENT RATING: 3A~5A Max.
- .DIELECTRIC WITH STANDING VOLTAGE: 500V(AC)
- .CONTACT RESISTANCE: 50mΩ Max.
- .INSULATION RESISTANCE: 1000MΩ(DC)Min

2.PRODUCT NUMBER CODE:

DS1110-25 - X X X X X

- INSTALL TYPE
A: A TYPE
B: B TYPE
- CONTACT PLATING
8: GOLD FLASH
- COLOR OF NUT:
U: BLUE
- COLOR OF HOUSING:
B: BLACK
- No. OF CONTACTS
2 3 4



SUGGESTED PANEL OPENING

GENERAL TOLERANCE		ANGLE TOLERANCE	
X.	±2.0	X.	±5'
.X	±1.0	.X	±3'
.XX	±0.5	.XX	±2'

DRAWING TYPE	CUSTOMER		
SCALE	1:1	SHEET	1 OF 1
DRAWING NO.	C-DS1110-25-XXXX-A		

PROJECTION		TITLE	
UNITS	mm	017 Water Proof Wire to Board Series	
SHEET SIZE	A4		
		SERIES	DS1110-25 SERIES

晨翔电子有限公司
CONNFLY CONNFLY ELECTRONIC CO., LTD

CONNFLY

Tel:86-574-63508787

Fax:86-574-63510817

E-mail:sale@connfly.com

http://www.connfly.com

Add: East Industry Zone KuangYan

Town Cixi Ningbo China

P.C:315333