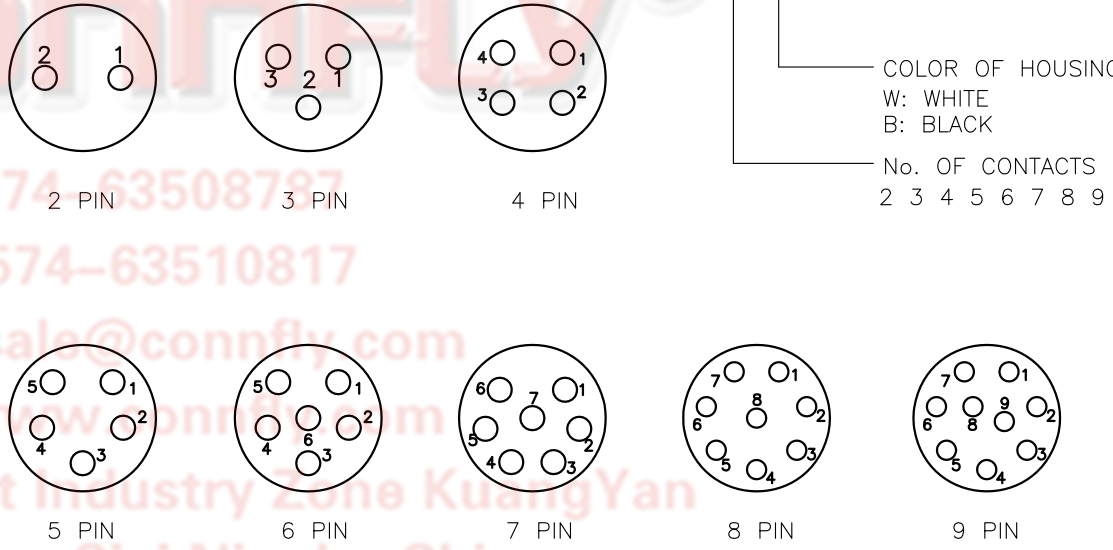
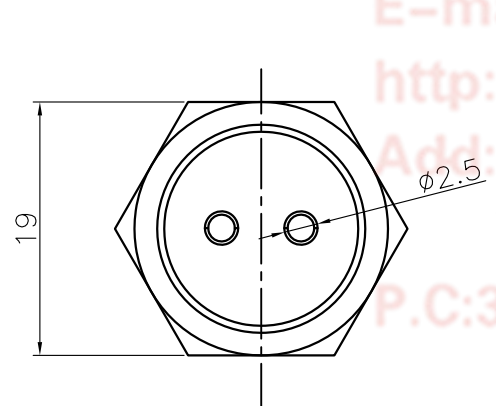
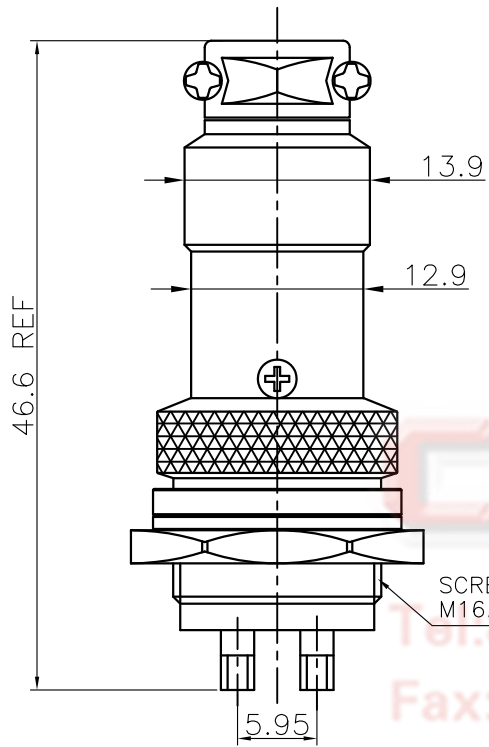


Dept  
Qty  
DC 1  
ED 1  
IE 1  
ISO 1  
PD 1  
R&D 1  
SD 1  
QA 1  
QC 1  
QE 1

The information provided herein is from CONNELY Electronic Co., Ltd. and is confidential. Any disclosure to a party other than the recipient is prohibited. The intellectual properties and its rights contained herein, including but not limited to, trademarks, patents, copyrights, trade secrets, and technical know-how, are owned exclusively by CONNELY or its affiliates. Unauthorized use of this information in any format or manner. CONNELY may enforce its intellectual property rights at its own discretion; failures or delays to exercise such rights does not constitute a waiver of such rights.

REV.	DESCRIPTION	DRAWN	CHECKED	APPROVED
A	NEW RELEASE	LJH 05/09/05'		LJC 05/09/05'
B	DRAWING UPDATE	JLZ 11/10/18'		LJC 05/09/05'



NOTES:

- SPECIFICATION
  - CURRENT RATING: 5A Max.
  - DIELECTRIC WITH STANDING VOLTAGE: 500V(AC)
  - CONTACT RESISTANCE: 50mΩ Max.
  - INSULATION RESISTANCE: 1000MΩ(DC)Min
- PRODUCT NUMBER CODE:
 

DS1110 - X X X

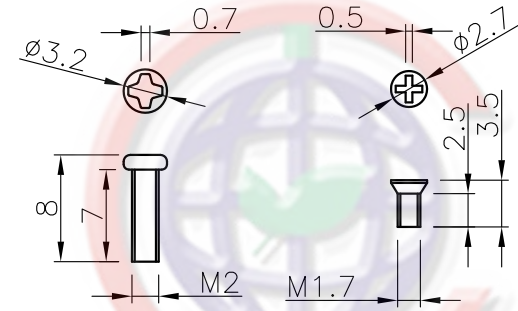
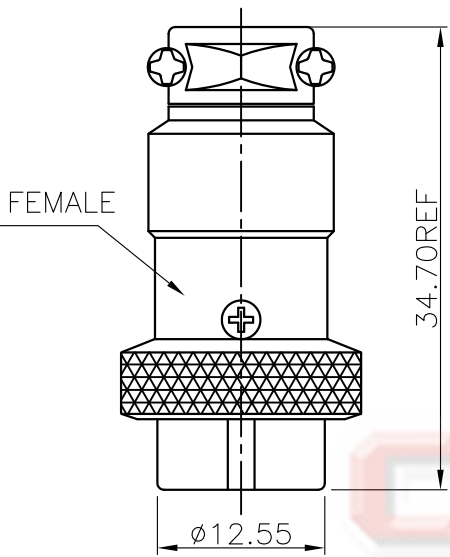
  - CONTACT PLATING: 6: SILVER
  - COLOR OF HOUSING: W: WHITE, B: BLACK
  - No. OF CONTACTS: 2 3 4 5 6 7 8 9

GENERAL TOLERANCE		ANGLE TOLERANCE		PROJECTION	TITLE
X.	±0.60	X.	±5°		MICRO JACK CONNECTOR
.X	±0.38	.X	±3°	mm	
.XX	±0.25	.XX	±2°	A4	SERIES DS1110 SERIES
DRAWING TYPE		CUSTOMER		晨翔电子有限公司 <b>CONNFLY CONNELY ELECTRONIC CO. LTD</b>	
SCALE		1:1	SHEET 1 OF 3		
DRAWING NO.		C-DS1110-XXX-B			

The information provided herein is from CONNELY Electronic Co., Ltd. and is confidential. Any disclosure to a party other than the recipient is prohibited. The intellectual properties and its rights contained herein, including but not limited to, trademarks, patents, copyrights, trade secrets, and technical know-how, are owned exclusively by CONNELY or its affiliates. Unauthorized use of this information in any format or manner. CONNELY may enforce its intellectual property rights at its own discretion; failures or delays to exercise such rights does not constitute a waiver of such rights.

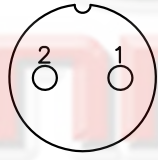
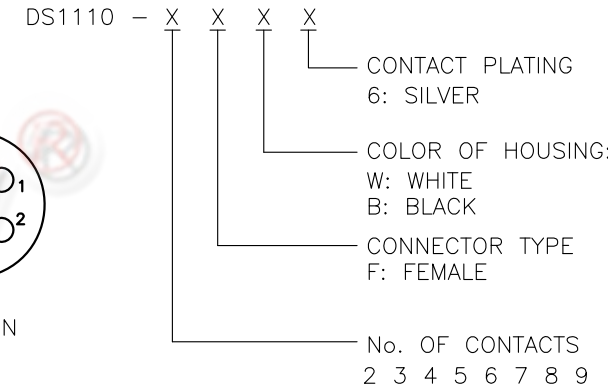
1 2 3 4 5 6 7 8

REV.	DESCRIPTION	DRAWN	CHECKED	APPROVED
A	NEW RELEASE	LJH 05/09/05'		LJC 05/09/05'
B	DRAWING UPDATE	JLZ 11/10/18'		LJC 05/09/05'

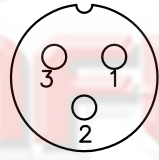


NOTES:

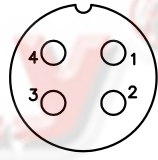
- SPECIFICATION
  - CURRENT RATING: 5A Max.
  - DIELECTRIC WITH STANDING VOLTAGE: 500V(AC)
  - CONTACT RESISTANCE: 50mΩ Max.
  - INSULATION RESISTANCE: 1000MΩ(DC)Min
- PRODUCT NUMBER CODE:



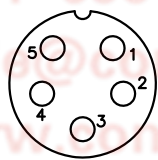
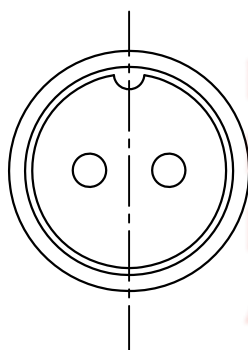
2 PIN



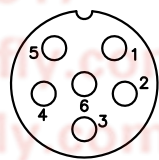
3 PIN



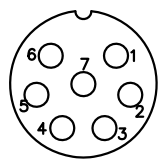
4 PIN



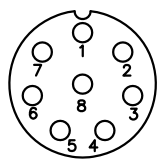
5 PIN



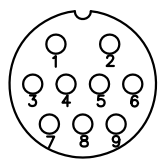
6 PIN



7 PIN



8 PIN



9 PIN

Tel:86-574-63508787  
 Fax:86-574-63510817  
 E-mail:sales@connfly.com  
 http://www.connfly.com  
 Add:East Industry Zone Kuang Yan  
 Town Cixi Ningbo China  
 P.C:315333

GENERAL TOLERANCE		ANGLE TOLERANCE		PROJECTION	TITLE
X.	±0.60	X.	±5°		MICRO JACK CONNECTOR
.X	±0.38	.X	±3°	mm	SERIES DS1110 SERIES
.XX	±0.25	.XX	±2°	A4	
DRAWING TYPE		CUSTOMER		晨翔电子有限公司 <b>CONNFLY CONNFLY ELECTRONIC CO. LTD</b>	
SCALE		1:1	SHEET 2 OF 3		
DRAWING NO.		C-DS1110-XXX-B			

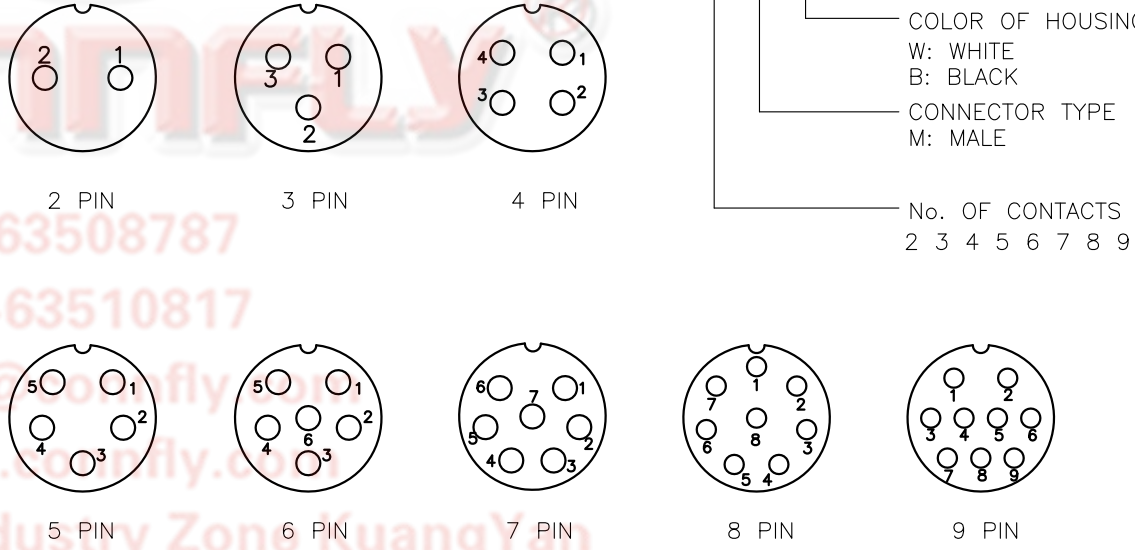
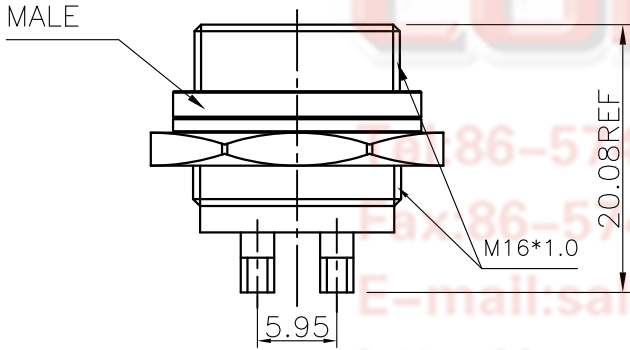
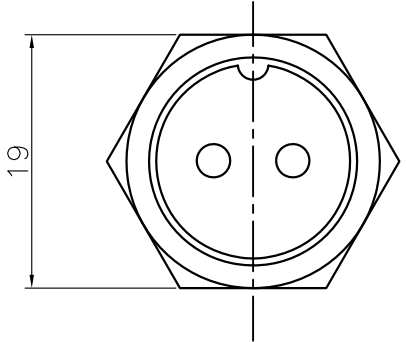
1 2 3 4 5 6 7 8

The information provided herein is from CONNELY Electronic Co., Ltd. and is confidential. Any disclosure to a party other than the recipient is prohibited. The intellectual properties and its rights contained herein, including but not limited to, trademarks, patents, copyrights, trade secrets, and technical know-how, are owned exclusively by CONNELY or its affiliates. Unauthorized use of this information in any format or manner. CONNELY may enforce its intellectual property rights at its own discretion; failures or delays to exercise such rights does not constitute a waiver of such rights.

1      2      3      4      5      6      7      8

REV.	DESCRIPTION	DRAWN	CHECKED	APPROVED
A	NEW RELEASE	LJH 05/09/05'		LJC 05/09/05'
B	DRAWING UPDATE	JLZ 11/10/18'		LJC 05/09/05'

A  
B  
C  
D  
E  
F  
G  
H



NOTES:

- SPECIFICATION
  - CURRENT RATING: 5A Max.
  - DIELECTRIC WITH STANDING VOLTAGE: 500V(AC)
  - CONTACT RESISTANCE: 50mΩ Max.
  - INSULATION RESISTANCE: 1000MΩ(DC)Min
- PRODUCT NUMBER CODE:

DS1110 - X X X X

- CONTACT PLATING  
6: SILVER
- COLOR OF HOUSING:  
W: WHITE  
B: BLACK
- CONNECTOR TYPE  
M: MALE
- No. OF CONTACTS  
2 3 4 5 6 7 8 9

86-574-63508787  
 86-574-63510817  
 E-mail:sale@connely.com  
 http://www.connely.com  
 Add:East Industry Zone KuangYan  
 Town Cixi Ningbo China  
 P.C:315333

GENERAL TOLERANCE		ANGLE TOLERANCE		PROJECTION		TITLE	MICRO JACK CONNECTOR	
X.	±0.60	X.	±5°	UNITS	mm	SERIES	DS1110 SERIES	
.X	±0.38	.X	±3°	SHEET SIZE	A4			
.XX	±0.25	.XX	±2°					
DRAWING TYPE		CUSTOMER		晨翔电子有限公司 <b>CONNELY CONNELY ELECTRONIC CO. LTD</b>				
SCALE	1:1	SHEET	3 OF 3					
DRAWING NO.	C-DS1110-XXX-B							

1      2      3      4      5      6      7      8