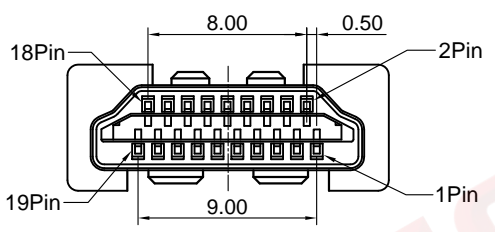
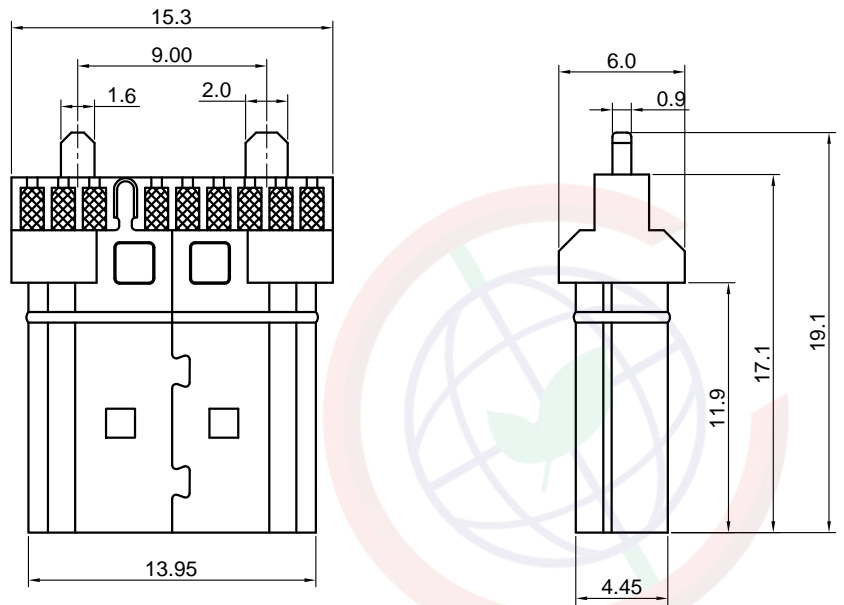


Dept	
Qty	
DC	1
ED	1
IE	1
ISO	1
PD	1
R&D	1
SD	1
QA	1
QC	1
QE	1

The information provided herein is from CONNELY Electronic Co., Ltd. and is confidential. Any disclosure to a party other than the recipient is prohibited. The intellectual properties and its rights contained herein, including but not limited to, trademarks, patents, copyrights, trade secrets, and technical know-how, are owned exclusively by CONNELY or its affiliates. Unauthorized use or modification is strictly prohibited. CONNELY may enforce its intellectual property rights at its own discretion, failure or delays to exercise such rights does not constitute a waiver of such rights.

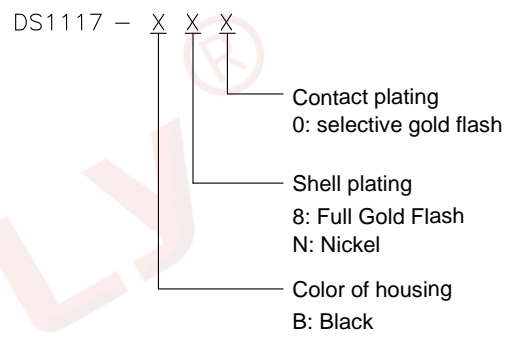
REV.	DESCRIPTION	DRAWN	CHECKED	APPROVED
A	NEW RELEASE	LL 11/15/06'		LJC 11/15/06'
D	DRAWING UPDATE	JLZ 08/19/21'		



(Series Image-Reference Only)

NOTES:

- Materials
 - 1.1 Insulator: Thermoplastic, UL 94V-0 Rated
 - 1.2 Contacts: Copper Alloy
 - 1.3 Shell: Steel
- Specification
 - 2.1 Contact resistance: 50mΩ max.
 - 2.2 Insulation resistance: 100MΩ min.
 - 2.3 Dielectric withstanding voltage: 100 VAC 1 minute.
- Product number code:



GENERAL TOLERANCE	ANGLE TOLERANCE	PROJECTION		TITLE	HDMI 19Pin Male Solder type	
X. ±0.60	X. ±5°	UNITS	mm	SHEET SIZE	A4	SERIES DS1117 SERIES
.X ±0.38	.X ±3°	晨翔电子有限公司 CONNELY CONNELY ELECTRONIC CO. LTD				
.XX ±0.25	.XX ±2°					
DRAWING TYPE	CUSTOMER					
SCALE	1:1	SHEET	1 OF 1			
DRAWING NO.	C-DS1117-XXX-D					