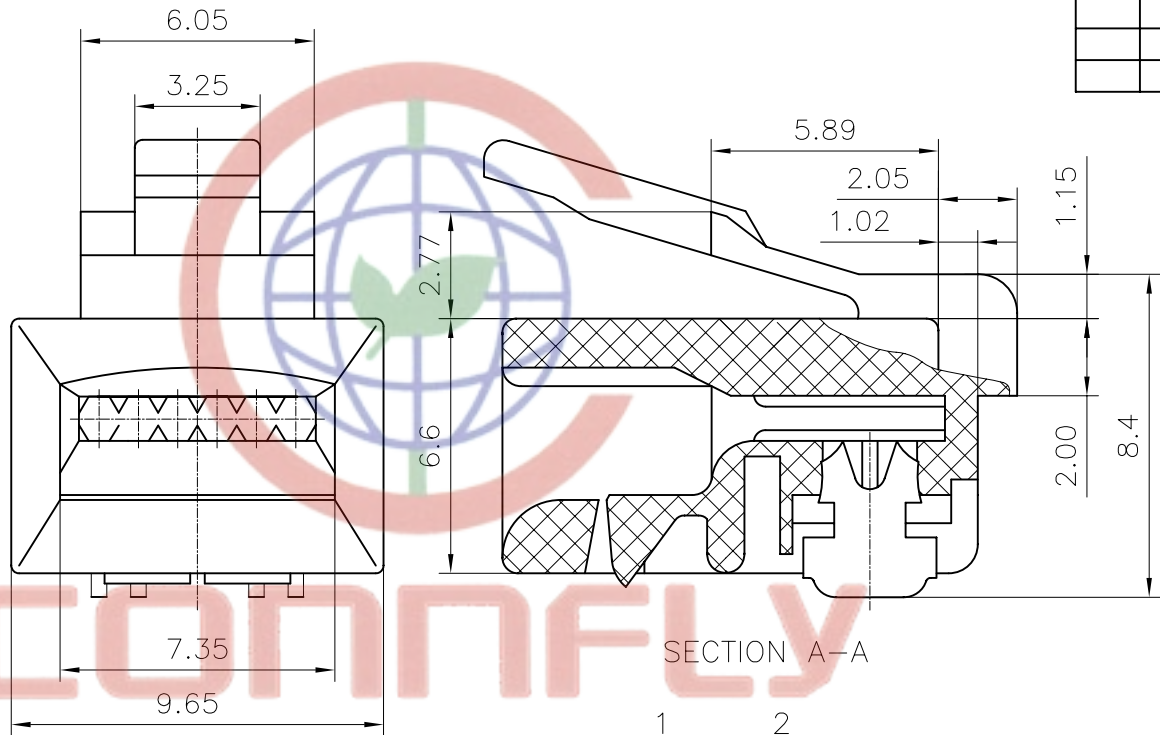


REV.	DESCRIPTION	DRAWN	CHECKED	APPROVED
A	NEW RELEASE	YCH 08/23/07'	~	

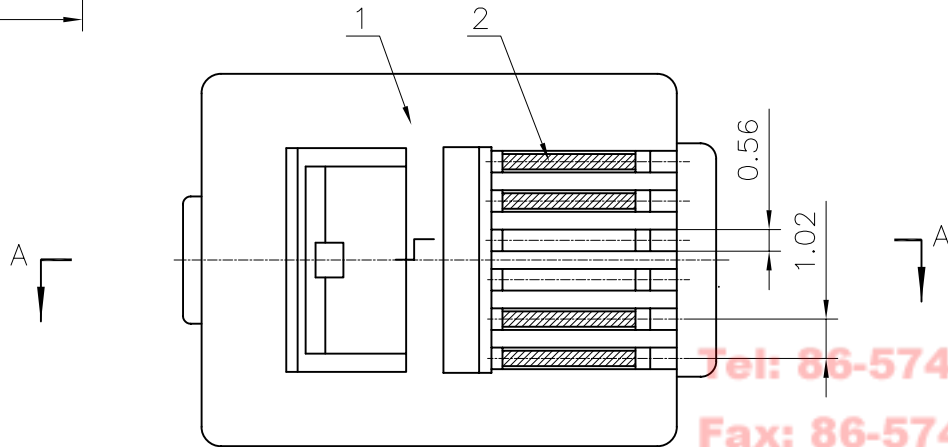


SPECIFICATION

1. Insulation Resistance:1000MΩ Min.
2. Withstand Voltage:500V AC/Minute.
3. Durability:600 Cycles Min.
4. Contact resistance:50mΩ max.
5. Product Number Code:

DS1122-06 - X X X X

- Housing Color  
T:Transparent
- Contact Plating  
0:Gold Flash 15:15u''Au  
3:3u''Au 30:30u''Au  
6:6u''Au
- No.Of Contacts  
4:6p4c
- Connector Type  
P:Plug
- Series No.  
DS1122-06



Tel: 86-574-63508787  
Fax: 86-574-63510817

No.	PART NAME	Q'TY	MATERIAL	REMARK
(2)	BLADE	4	Copper alloy	GOLD PLATING
(1)	HOUSING	1	PC	UL94 V-0 OR 94 V-2

GENERAL TOLERANCE		ANGLE TOLERANCE	
X.	±0.60	X.	±5'
.X	±0.38	.X	±3'
.XX	±0.25	.XX	±2'
DRAWING TYPE		CUSTOMER	
SCALE		1:1	
DRAWING NO.		C-DS1122-06-XXXX	

PROJECTION	TITLE
⊕	Plug 6P4C (PIN 1,2,5,6) ROUND TYPE
UNITS	mm
SHEET SIZE	A4
SERIES	DS1122-06 SERIES


**晨翔电子有限公司**  
**CONNFLY CONNFLY ELECTRONIC CO. LTD**

Email: sales@connfly.com.cn  
 Http://www.connfly.com.cn  
 Add: West Zaozao Town, Cixi, Ningbo, China  
 P.O: 315321