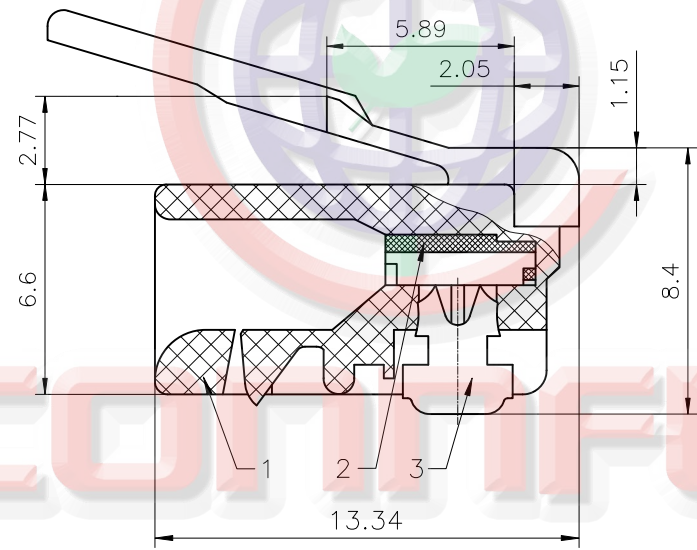
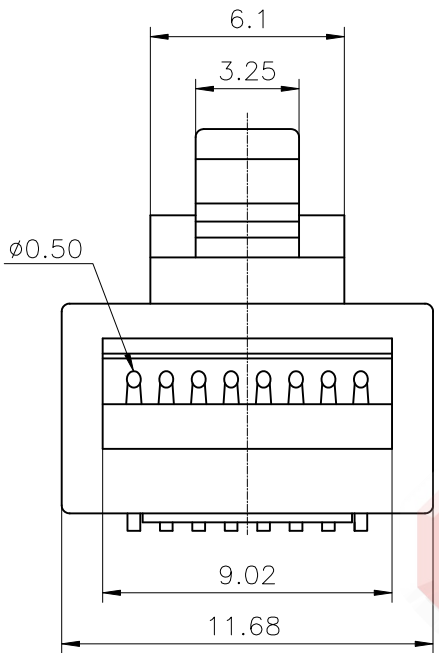


REV.	DESCRIPTION	DRAWN	CHECKED	APPROVED
A	NEW RELEASE	YCH 08/23/07'	~	LJC 08/23/07'
B	DRAWING UPDATE	JLZ 01/16/18'	~	



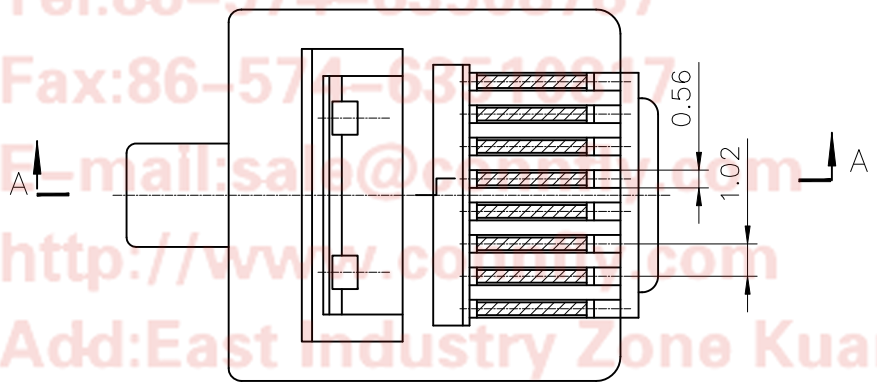
SPECIFICATION

1. Insulation Resistance:1000MΩ Min.
2. Withstand Voltage:500V AC/Minute.
3. Durability:600 Cycles Min.
4. Contact resistance:50mΩ max.
5. Product Number Code:

DS1123-12 - X X X X

- Housing Color
T:Transparent
- Contact Plating
0:Gold Flash 15:15u''Au
3:3u''Au 30:30u''Au
6:6u''Au
- No.Of Contacts
8:8p8c
- Connector Type
P:Plug
- Series No.
DS1123-12

Tel:86-574-63508787
 Fax:86-574-63519917
 E-mail:sales@connfly.com
 http://www.connfly.com
 Add:East Industry Zone KuangYan
 Town Cixi Ningbo China



(3)	BLADE	8	Copper alloy	GOLD PLATING	GENERAL TOLERANCE		ANGLE TOLERANCE		PROJECTION		TITLE	PLUG 8P8C SHORT WITH COVER TYPE	
(2)	COVER	1	PC	UL94 V-0 OR 94 V-2	X. ±0.60	X. ±5°	.X ±0.38	.X ±3°	UNITS	mm			
(1)	HOUSING	1	PC	UL94 V-0 OR 94 V-2	.XX ±0.25	.XX ±2°			SHEET SIZE	A4	SERIES	DS1123-12 SERIES	
No.	PART NAME	Q'TY	MATERIAL	REMARK	DRAWING TYPE		CUSTOMER		晨翔电子有限公司 CONNFLY CONNFLY ELECTRONIC CO. LTD				
					SCALE	1:1	SHEET	1 OF 1					
					DRAWING NO.	C-DS1123-12-XXXX-B							