

REV.	DESCRIPTION	DRAWN	CHECKED	APPROVED
A	NEW RELEASE	YCH 08/26/07'	~	

SPECIFICATION

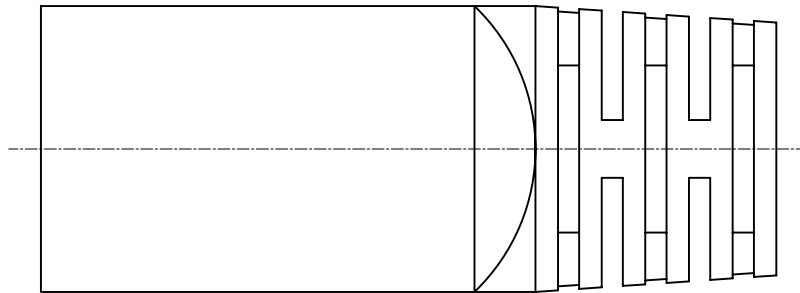
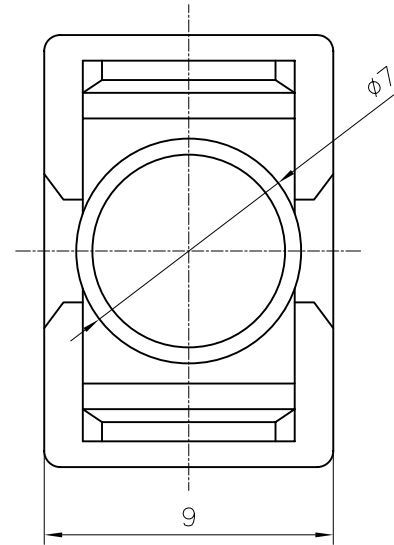
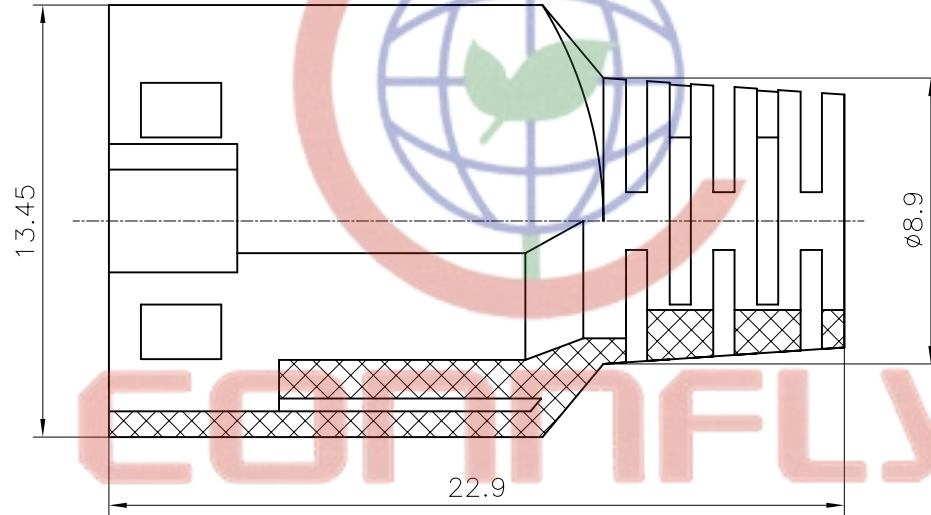
- MATERIAL: PVC
- Product Number Code:

DS1124-05 - P X

Hood Color  
V:Ivory  
A:Gray  
R:Red  
G:Green  
B:Black  
Y:Yellow

Connector Type  
P:Plug

Series No.  
DS1124-05



Tel: 86-574-63508787

Fax: 86-574-63510817

E-mail: [sales@connfly.com.cn](mailto:sales@connfly.com.cn)

<http://www.connfly.com.cn>

GENERAL TOLERANCE		ANGLE TOLERANCE		PROJECTION	TITLE
X.	±0.60	X.	±5'	⊕	PLUG 10P HOOD SHORT TYPE
.X	±0.38	.X	±3'	mm	
.XX	±0.25	.XX	±2'	SHEET SIZE	A4
DRAWING TYPE		CUSTOMER		SERIES	
SCALE		1:1		DS1124-05 SERIES	
DRAWING NO.		CIDS1124-05-PX			



晨翔电子有限公司

CONNFLY CONNFLY ELECTRONIC CO. LTD

Address: West Taobao Gxixi Road, China  
Tel: 86-574-63508787  
Fax: 86-574-63510817  
E-mail: [sales@connfly.com.cn](mailto:sales@connfly.com.cn)  
<http://www.connfly.com.cn>