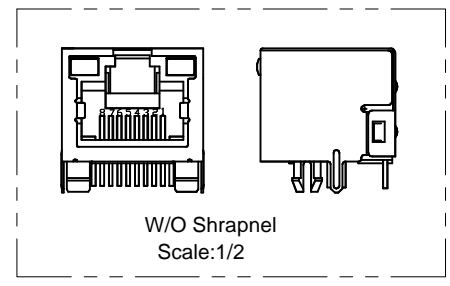
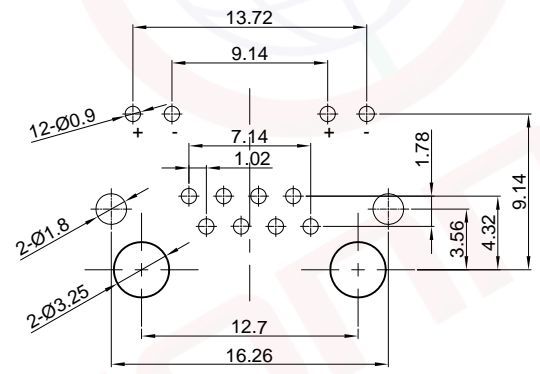
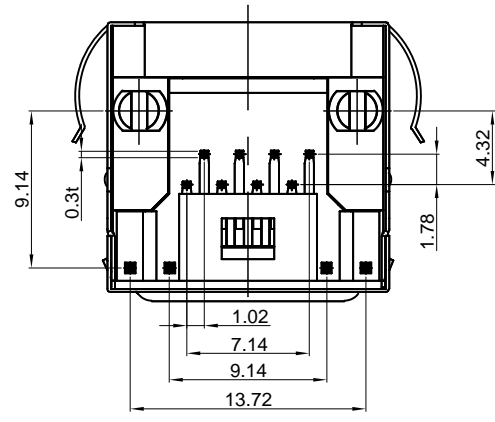
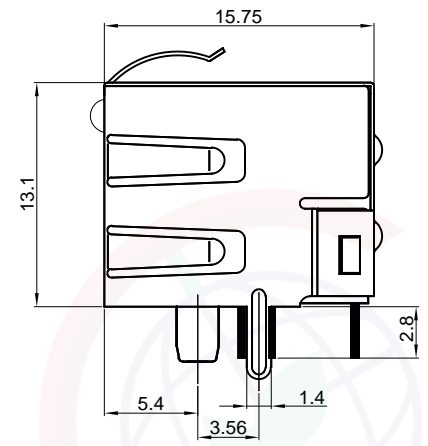
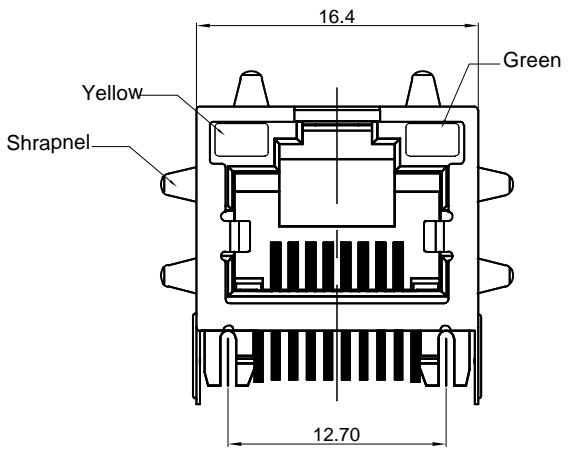


Dept	
Qty	
DC	1
ED	1
IE	1
ISO	1
PD	1
R&D	1
SD	1
QA	1
QC	1
QE	1

REV.	DESCRIPTION	DRAWN	CHECKED	APPROVED
A	NEW RELEASE	JLZ 11/10/14'	HZW 11/10/14'	LJC 11/10/14'
B	DRAWING UPDATE	JLZ 03/28/19'		
C	DRAWING UPDATE	JLZ 04/08/22'		



(Series Image-Reference Only)

Notes:

- Electrical Characteristics:
 - Contact Resistance: 20mΩ Max.
 - Dielectric Withstanding Voltage: 500V AC(rms) For 1 Minute.
 - Insulation Resistance: 1000MΩ Min.
 - Current Rating:1.5A.
 - Voltage Rating:150V AC rms.
- Environment Characteristics:
 - Temperature: -40°C~+85°C.
- Materials:
 - Contact Material: Copper Alloy.
 - Contact Plating: Selective Gold Flash.
 - Insulator Materials: PBT,UL94-V0.
- Product Number Code:

DS1128-03-X X X X - X

- Shell Type
- X:W/O Shrapnel
- S:W/ Shrapnel
- Housing Color
- B:Black
- Contact Plating
- 0:Selective Gold Flash
- No.Of Contacts
- 8:8p8c
- Connector Type
- S:Socket

GENERAL TOLERANCE		ANGLE TOLERANCE	
X.	±0.60	X.	±5°
.X	±0.38	.X	±3°
.XX	±0.25	.XX	±2°
DRAWING TYPE		CUSTOMER	
SCALE		1:1	SHEET 1 OF 1
DRAWING NO.		C-DS1128-03-XXXX-X-C	

PROJECTION		TITLE	PCB JACK 8P 1Port With LED	
UNITS	mm			
SHEET SIZE	A4	SERIES	DS1128-03 SERIES	

晨翔电子有限公司
CONNFLY CONNFLY ELECTRONIC CO. LTD

The information provided herein is from CONNELY Electronic Co., Ltd. and is confidential. Any disclosure to a party other than the recipient is prohibited. The intellectual properties and its rights contained herein, including but not limited to, trademarks, patents, copyrights, trade secrets, and technical know-how, are owned exclusively by CONNELY or its affiliates. Unauthorized use or reproduction of any part of this document is strictly prohibited. CONNELY reserves the right to make changes to this document without notice. CONNELY may enforce its intellectual property rights at its own discretion, failures or delays to exercise such rights does not constitute a waiver of such rights.