

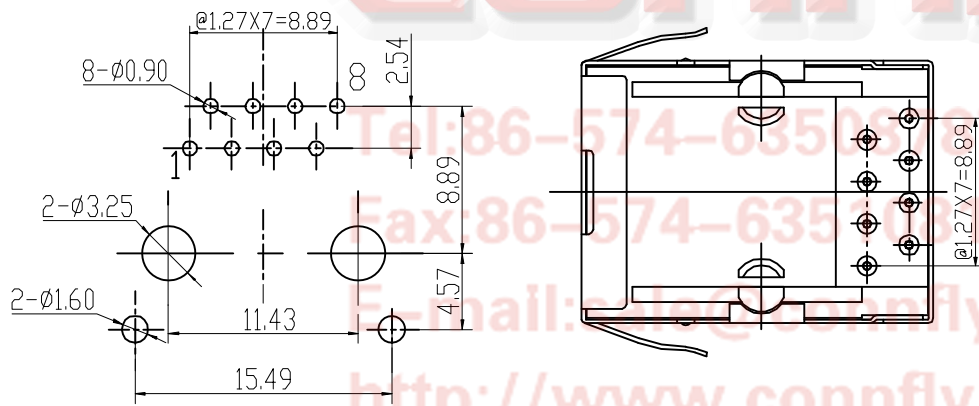
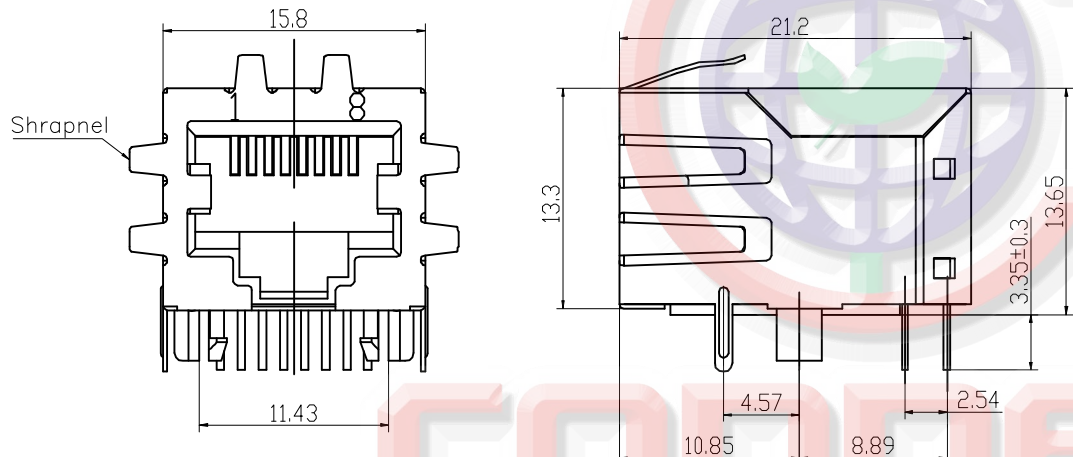
REV.	DESCRIPTION	DRAWN	CHECKED	APPROVED
A	NEW RELEASE	JLZ 06/08/16'	~	

NOTES:

- ELECTRICAL CHARACTERISTICS:
  - CONTACT RESISTANCE: 20mΩ Max.
  - DIELECTRIC WITHSTANDING VOLTAGE: 500V AC(rms) FOR 1 MINUTE.
  - INSULATION RESISTANCE: 1000MΩ Min.
  - VOLTAGE RATING:125V.
  - CURRENT RATING:1.5A.
- ENVIRONMENT CHARACTERISTICS:
  - TEMPERATURE: -40°C~+85°C.
- MATERIALS
  - CONTACT MATERIAL: COPPER ALLOY.
  - CONTACT PLATING: GOLD.
  - INSULATOR MATERIALS: PBT OR NYLON BLACK.
- PRODUCT NUMBER CODE:
 

DS1128-04-X X X X X - X

- Shell Type  
S:W/ Shrapnel  
X:W/O Shrapnel
- Housing Materials  
N:Nylon  
P:PBT
- Contact Plating  
8:Gold Flash
- Housing Color  
B:Black
- No.Of Contacts  
8:8p8c
- Connector Type  
S:Socket



PCB LAYOUT  
THICKNESS=1.6mm

Tel:86-574-63505127  
Fax:86-574-63505127  
E-mail:connfly@connfly.com  
http://www.connfly.com  
Add:East Industry Zone KuangYan  
Town Cixi Ningbo China  
P.C:315333

GENERAL TOLERANCE		ANGLE TOLERANCE	
X.	±0.60	X.	±5°
.X	±0.38	.X	±3°
.XX	±0.25	.XX	±2°
DRAWING TYPE		CUSTOMER	
SCALE	1:1	SHEET	1 OF 1
DRAWING NO.	C-DS1128-04-XXXXX-X-A		

PROJECTION		TITLE	PCB Jack 8 Positions W/ Full Shell Before 4.57mm	
UNITS	mm	SERIES	DS1128-04 SERIES	
SHEET SIZE	A4			

晨翔电子有限公司  
CONNFLY CONNFLY ELECTRONIC CO. LTD