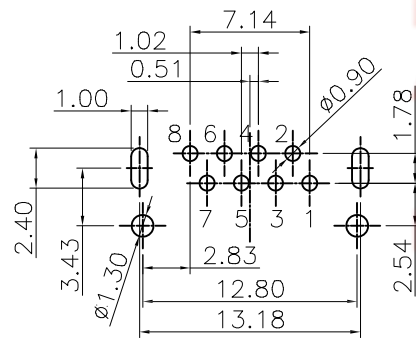
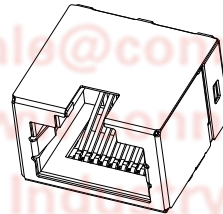
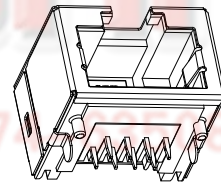
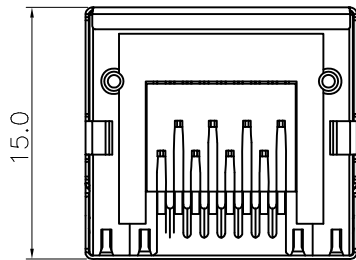
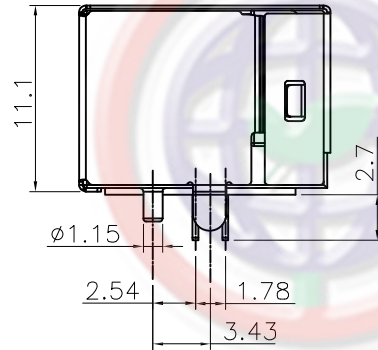
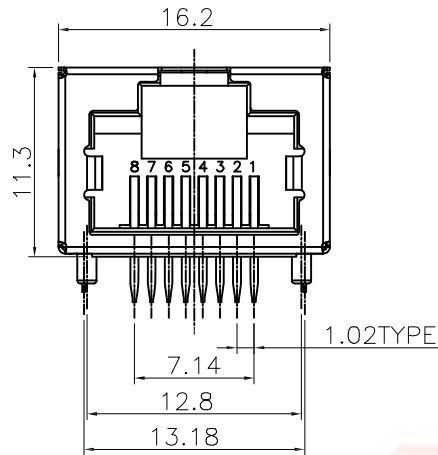


REV.	DESCRIPTION	DRAWN	CHECKED	APPROVED
A	NEW RELEASE	JLZ 06/08/16'	~	

NOTES:

- ELECTRICAL CHARACTERISTICS:
 - CONTACT RESISTANCE: 20mΩ Max.
 - DIELECTRIC WITHSTANDING VOLTAGE: 500V AC(rms) FOR 1 MINUTE.
 - INSULATION RESISTANCE: 1000MΩ Min.
 - VOLTAGE RATING:125V.
 - CURRENT RATING:1.5A.
- ENVIRONMENT CHARACTERISTICS:
 - TEMPERATURE: -40°C~+85°C.
- MATERIALS
 - CONTACT MATERIAL: COPPER ALLOY.
 - CONTACT PLATING: SECLECTIVE GOLD FLASH.
 - INSULATOR MATERIALS: NYLON, BLACK.
- PRODUCT NUMBER CODE:
DS1128-08-X X X X X

- Housing Materials
N:Nylon
- Contact Plating
0:Seclective Gold Flash
S:Seclective 6u" Gold
- Housing Color
B:Black
- No.Of Contacts
8:8p8c
- Connector Type
S:Socket



PCB LAYOUT
THICKNESS=1.6mm

CONNFLY

Tel:86-574-63510817
Fax:86-574-63510817
E-mail:sales@connfly.com
http://www.connfly.com
Add:East Industry Zone KuangYan
Town Cixi Ningbo China
P.C:315333

GENERAL TOLERANCE		ANGLE TOLERANCE		PROJECTION		TITLE	PCB Jack 8 Positions W/ Shell After 3.43mm H=11.3mm				
X.	±0.60	X.	±5°	UNITS	mm	SHEET SIZE	A4	SERIES	DS1128-08 SERIES		
.X	±0.38	.X	±3°								
.XX	±0.25	.XX	±2°								
DRAWING TYPE		CUSTOMER			晨翔电子有限公司 CONNFLY CONNFLY ELECTRONIC CO. LTD						
SCALE		1:1	SHEET							1 OF 1	
DRAWING NO.		C-DS1128-08-XXXXX-A									