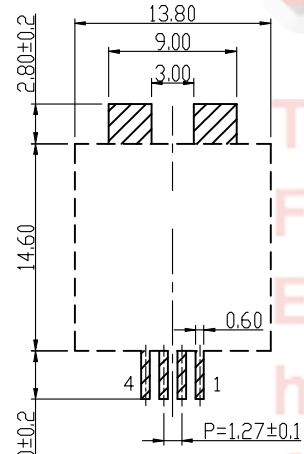
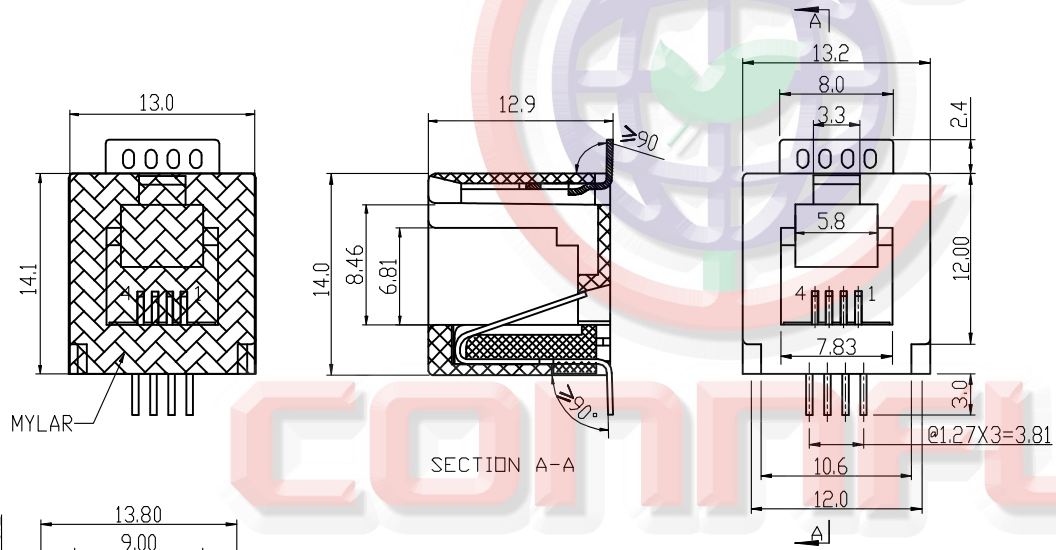


REV.	DESCRIPTION	DRAWN	CHECKED	APPROVED
A	NEW RELEASE	JLZ 11/18/15'	~	



RECOMMEND PCB LAYOUT
TOLERANCE=±0.05mm

NOTES:

- ELECTRICAL CHARACTERISTICS:
 - CONTACT RESISTANCE: 20mΩ Max.
 - DIELECTRIC WITHSTANDING VOLTAGE: 1000V AC(rms) FOR 1 MINUTE.
 - INSULATION RESISTANCE: 1000MΩ Min.
 - CURRENT RATING:1.5A.
- ENVIRONMENT CHARACTERISTICS:
 - TEMPERATURE: -40°C~+85°C.
- MATERIALS
 - CONTACT MATERIAL: COPPER ALLOY.
 - CONTACT PLATING: SELECTIVE GOLD.
 - INSULATOR MATERIALS: LCP,BLACK,UL94-V0.
- PRODUCT NUMBER CODE:

DS1132-04-X X X X X

- Packing Type
- R:Tape on reel
- T:Tray
- Mylar Support
- S:W/ Mylar
- X:W/O Mylar
- Contact Plating
- 0:Selective Gold Flash
- 3:Selective 3u" Gold
- 15:Selective 15u" Gold
- 30:Selective 30u" Gold
- Housing Color
- B:Black
- No.Of Contacts
- 4:4P4C
- Connector Type
- S:Socket

Tel:86-574-63508787
 Fax:86-574-63510817
 E-mail:sale@connfly.com
 http://www.connfly.com
 Add:East Industry Zone KuangYan
 Town Cixi Ningbo China
 P.C:315333

GENERAL TOLERANCE		ANGLE TOLERANCE		PROJECTION		TITLE	PCB Jack 4 Positions W/O Shell SMT TYPE	
X.	±0.60	X.	±5°	UNITS	mm			
.X	±0.38	.X	±3°	SHEET SIZE	A4	SERIES	DS1132-04 SERIES	
.XX	±0.25	.XX	±2°	晨翔电子有限公司 CONNFLY CONNFLY ELECTRONIC CO. LTD				
DRAWING TYPE		CUSTOMER						
SCALE		1:1	SHEET 1 OF 1					
DRAWING NO.		C-DS1132-04-XXXXX-A						